



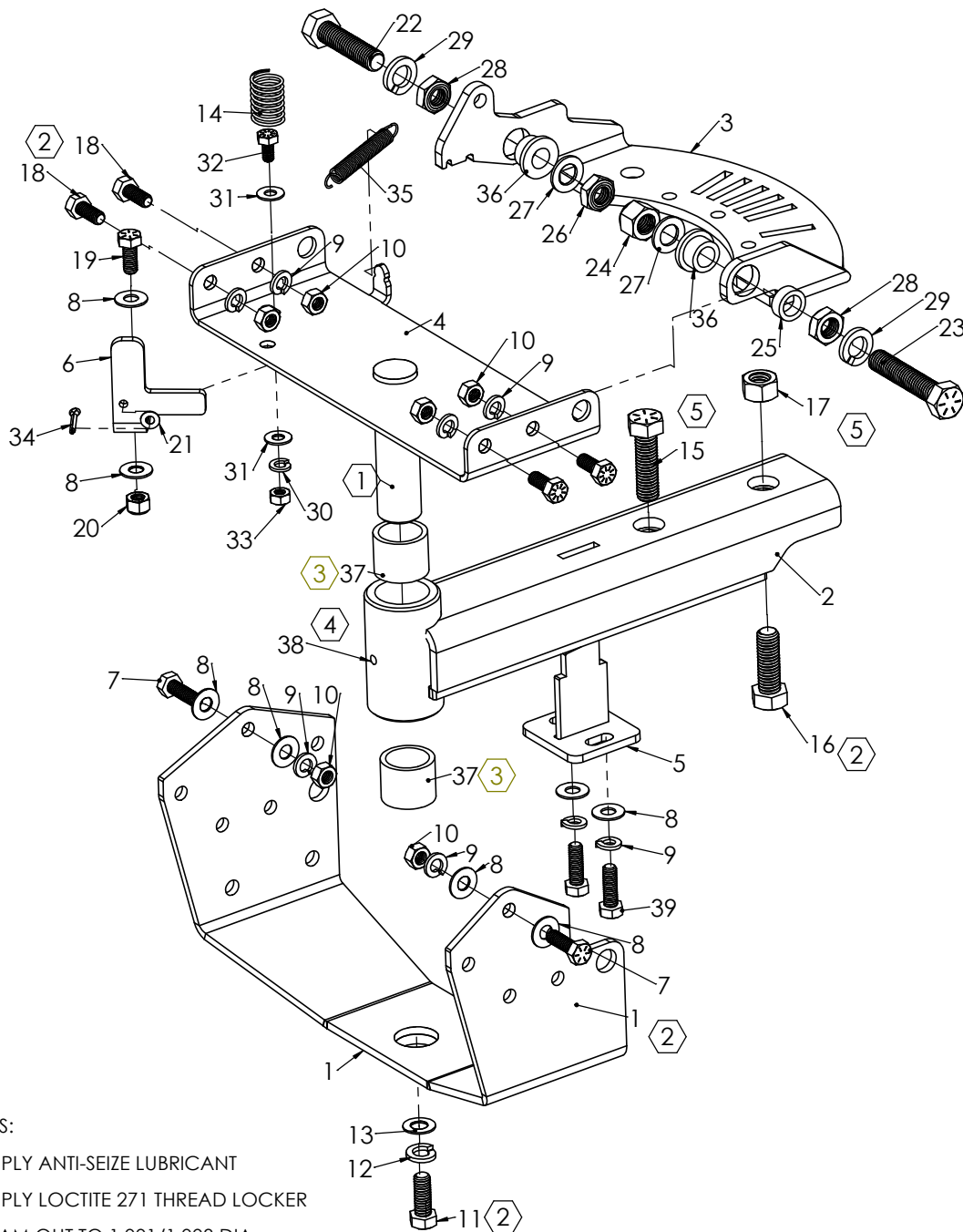
# **MULTI-USE TRACTOR**

**Parts Catalog**

**MODEL 1305**

**SN: 00301 to 04376**

<b><u>Description</u></b>	<b><u>Page Number</u></b>
<b>Table of Contents</b>	2
<b>Sector Assembly – 10-0665</b>	3
<b>Engine A Honda w/ Clutch – 10-0667</b>	4
<b>Transmission Assembly – 10-0935</b>	5
<b>Transmission Service Parts – 10-0899</b>	6
<b>Transmission Configuration – Edger</b>	7
<b>Transmission Configuration – Non-Edger</b>	8
<b>Hydro Handle A – 10-0682</b>	9
<b>Frame A</b>	10
<b>Transmission / Frame / Engine A</b>	11
<b>Lift Kit – K1305LK</b>	12
<b>Wheel Lock Kit – KL1305WL</b>	13
<b>Diff Lock Kit – K1305DL</b>	14
<b>Park Brake – K1305PB</b>	15



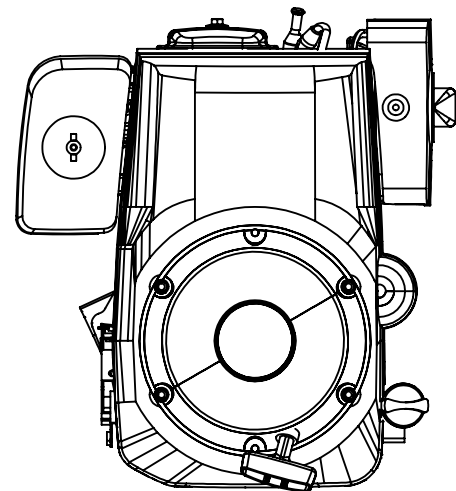
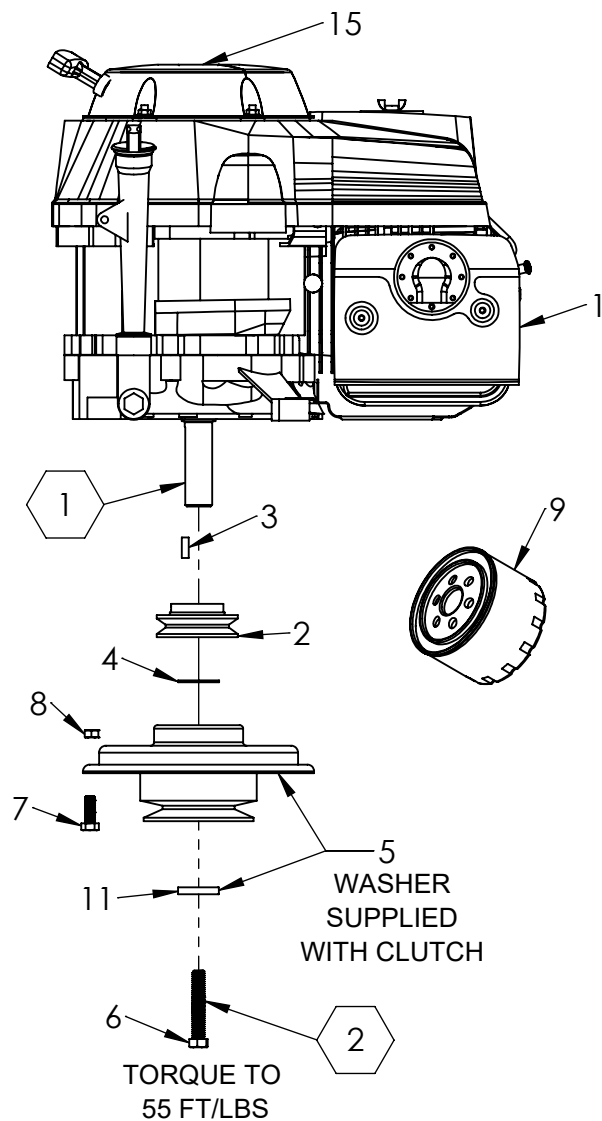
NOTES:

- 1. APPLY ANTI-SEIZE LUBRICANT
- 2. APPLY LOCTITE 271 THREAD LOCKER
- 3. REAM OUT TO 1.001/1.003 DIA
- 4. GREASE
- 5. TORQUE TO 83FT. LBS
- 6. TORQUE TO 37 FT LBS

NOTES: ALL HARDWARE IS GRADE 5, PLATED AND COARSE THREAD UNLESS OTHERWISE SPECIFIED

ITEM NO.	PART NUMBER	DESCRIPTION	QTY.
1	10-0217	DOUBLER W.A.	1
2	10-0108	ATTACHMENT PIVOT ARM W.A.	1
3	10-0554	SECTOR	1
4	10-0216	ATTACHMENT PIN W.A.	1
5	10-1410	GUN SIGHT	1
6	10-1266	BELT SUPPORT	1
7	NSS	HEX BOLT 5/16 X 1 (GR.8)	6
8	10-1214	5/16 SAE WASHER	24
9	NSS	5/16 LOCK WASHER	14
10	NSS	5/16 NUT	10
11	NSS	HEX BOLT 3/8 X 1	1
12	NSS	3/8 LOCK WASHER	1
13	BR-0132	WASHER	1
14	10-0450	COMPRESSION SPRING	1
15	10-1433	BOLT 1/2 (13) X 1-3/4 SMOOTH FLANGE	1
16	10-1431	BOLT 1/2 (13) X 1-1/2 SERRATED FLANGE	1
17	10-1432	NUT 1/2 (13) SMOOTH FLANGE	1
18	NSS	HEX BOLT 5/16 X 3/4 (GR.8)	4
19	NSS	HEX BOLT 5/16 X 3/4	1
20	NSS	5/16 LOCK NUT	1
21	NSS	WASHER #10	1
22	NSS	HEX TAP BOLT 1/2-13 X 2	1
23	NSS	HEX TAP BOLT 1/2-13 X 2.5	1
24	NSS	1/2 LOCK NUT	1
25	10-1454	SPACER	1
26	NSS	1/2 NYLOCK JAM NUT	1
27	NSS	1/2 MACHINE WASHER	2
28	NSS	1/2-13 JAM NUT	2
29	NSS	1/2 LOCK WASHER	2
30	NSS	1/4 LOCK WASHER	1
31	NSS	1/4 FLAT WASHER	2
32	NSS	HEX BOLT 1/4 X 3/4	1
33	NSS	1/4 NUT	1
34	NSS	1/8 X 3/4 COTTER PIN	1
35	10-1297	EXTENSION SPRING	1
36	10-1430	BUSHING	2
37	10-0104	BRONZE BUSHING	2
38	10-0681	STRAIGHT GREASE FITTING	1
39	NSS	HEX BOLT 5/16 X 1	2

TURF TEQ LLC	10-0665	2/14/2019
MODEL 1305	SECTOR A	PAGE 3



- 1 APPLY ANTI-SEIZE LUBRICANT
- 2 APPLY LOCTITE 271 THREADLOCKER

NOTE: ALL HARDWARE IS GRADE 5, PLATED AND COARSE THREAD UNLESS OTHERWISE SPECIFIED

ITEM NO.	PART NUMBER	DESCRIPTION	QTY.
1	10-0394	HONDA ENGINE GXV390DA23	1
2	10-0112	SHEAVE 3" DIA.	1
3	10-1121	KEYWAY 1/4 X .75	1
4	10-1110	WASHER 1" MACHINE 1.03 X 1.5 X .07	1
5	10-0036	NORAM CLUTCH	1
6	10-1206	HEX BOLT 7/16-20 X 2 1/2 GRADE 8	1
7	NSS	HEX BOLT 5/16 X 1.0	1
8	NSS	NUT 5/16	1
9	10-1274	ENGINE OIL FILTER (HONDA)	1
10	10-1175	FUEL FILTER (HONDA)	1
11	10-1680	ENGINE WASHER	1
12	10-1720	HONDA GXV390 CARBURETOR	1
13	10-1718	SPARK PLUG	1
14	10-1500	AIR FILTER	1
15	10-1798	HONDA RECOIL STARTER ASSEMBLY	1

**TURFTEQ**

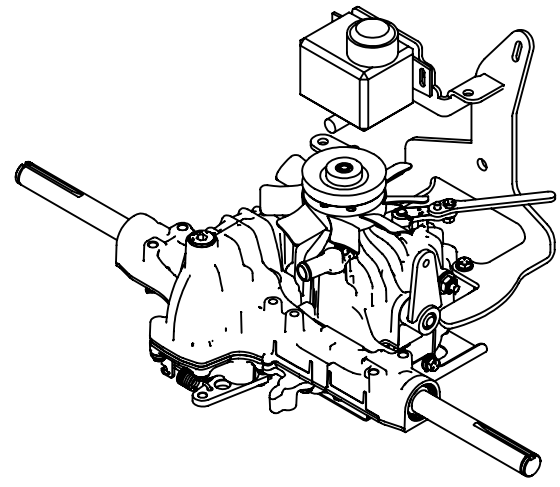
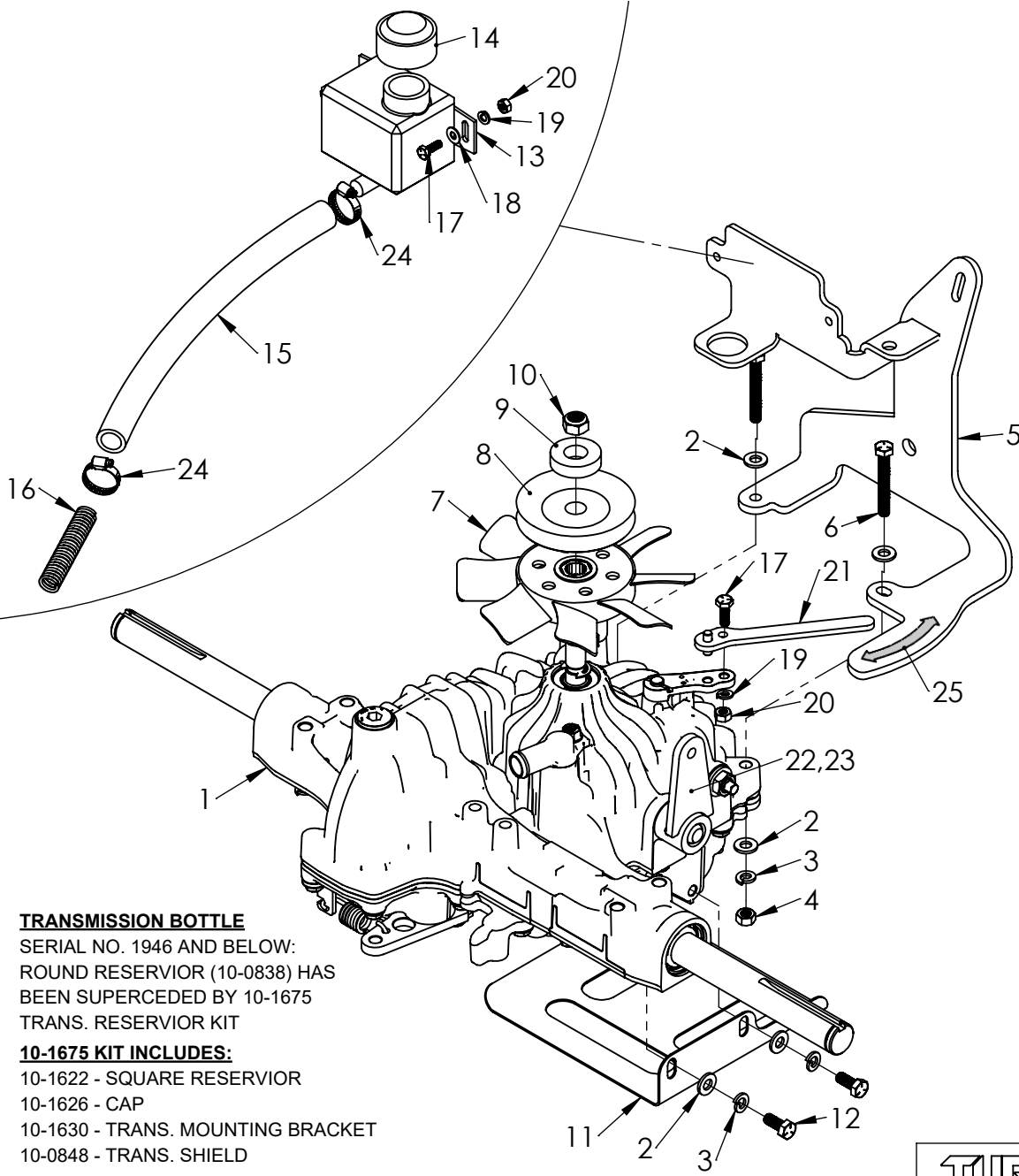
10-0667

02-06-19

MODEL 1305

ENGINE A

PAGE 4



ITEM NO.	PART NUMBER	DESCRIPTION	QTY.
1	10-0899	K62 TRANSMISSION	1
2	10-1214	WASHER 5/16" SAE	6
3	NSS	LOCK WASHER 5/16"	6
4	NSS	5/16"- 18 NUT	2
5	10-1630	TRANS. REAR SUPPORT BRACKET	1
6	NSS	HEX BOLT 5/16"-18 x 2-1/4"	2
7	10-0839	FAN - 7"	1
8	10-0840	PULLEY - 3-1/8" DIA.	1
9	BR-0132	WASHER .4 X 1.5 X .40	1
10	10-1216	M10 X 1.5 NYLOCK JAM NUT	1
11	10-1426	TRANS. SKID PLATE	1
12	NSS	HEX BOLT M8 x 20	2
13	10-1622	TRANSMISSION RESERVIOR	1
14	10-1623	RESERVIOR CAP	1
15	10-1038	RUBBER HOSE 1.06" x 14.94"	1
16	10-1037	SPRING 3/4" DIA x 5.62" LG	1
17	NSS	HEX BOLT 1/4"-20 X 3/4"	3
18	NSS	WASHER 1/4"	2
19	NSS	LOCK WASHER 1/4"	3
20	NSS	NUT 1/4"-20	3
21	10-0824	TOW VALVE ARM W/A	1
22	10-0755	TRANS. ARM W/A	1
23	10-1119	SPRING PIN 6mm x 34mm	1
24	10-0859	WORM GEAR CLAMP 1-1/4" WIDE	2
25	10-0884	ENGAGE/DISENGAGE DECAL	1

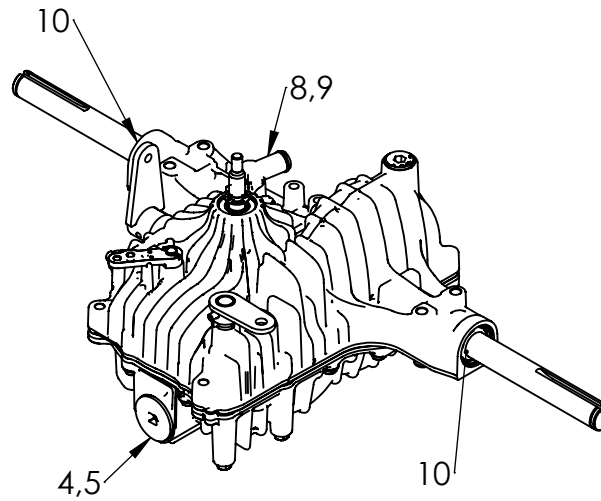
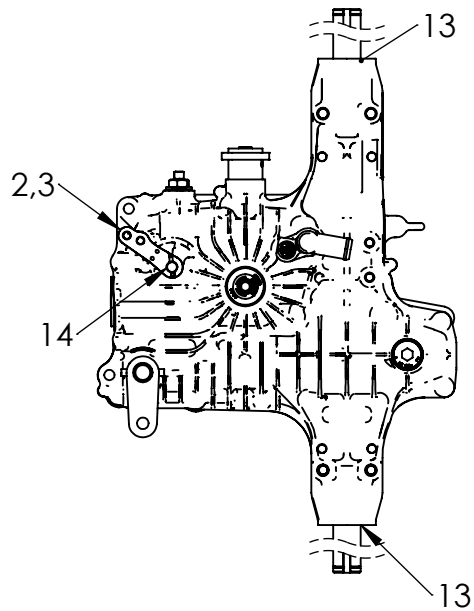
**TRANSMISSION BOTTLE**  
 SERIAL NO. 1946 AND BELOW:  
 ROUND RESERVIOR (10-0838) HAS  
 BEEN SUPERCEDED BY 10-1675  
 TRANS. RESERVIOR KIT

**10-1675 KIT INCLUDES:**  
 10-1622 - SQUARE RESERVIOR  
 10-1626 - CAP  
 10-1630 - TRANS. MOUNTING BRACKET  
 10-0848 - TRANS. SHIELD

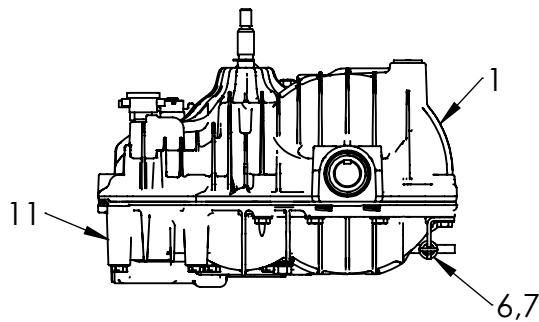
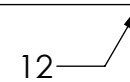
NOTE: ALL HARDWARE IS GRADE 5, PLATED AND  
 COARSE THREAD UNLESS OTHERWISE SPECIFIED

SEE PAGE 14 FOR K1305DL  
 DIFFERENTIAL LOCK KIT

<b>TURFTEQ</b>	10-0935	08/17/20
	MODEL 1305	K62 TRANS. A



**10-1419 - SEAL KIT**  
 INCLUDES ALL O-RINGS,  
 GASKETS, AXEL SEALS,  
 FILTERS,AND RTV GASKET  
 SEALANT



ITEM NO.	PART NUMBER	DESCRIPTION	Default/QTY.
1	10-0899	K62 TRANSMISSION	1
2	10-1245	HYDRO RELEASE LEVER	1
3	10-1247	HYDRO RELEASE SPRING LOCK RETAINING PIN	1
4	10-1251	DRAIN PLUG	1
5	10-1252	O-RING	1
6	10-1253	DIFFERENTIAL LOCK LEVER	1
7	10-1254	O-RING - 2	1
8	10-1255	OIL INLET	1
9	10-1256	OIL INLET O-RING	1
10	10-1414	AXLE SEAL - MODEL 1305 - K62	2
11	10-1418	K62 TRANSMISSION LOWER CASE	1
12	10-1419	K62 TRANSMISSION SEAL KIT	1
13	10-1530	AXLE BUSHING	2
14	10-1531	O-RING - HYDRO RELEASE	1

**TURFTEQ**

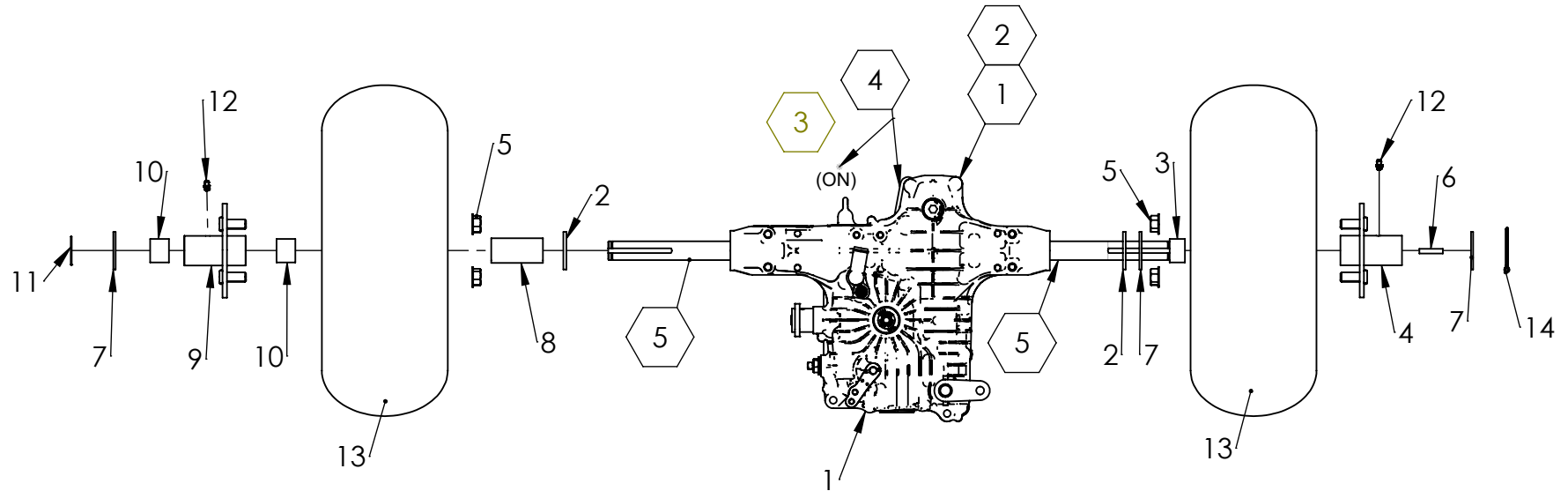
11/16/18

MODEL 1305

TRANS. SERVICE PARTS

PAGE 6

TRANSMISSION CONFIGURATION FOR 1305SP, 1305SP1, 1305SP2, EDGER  
DIFF LOCK ARM POSITIONING



- 1 REMOVE SPRING AND SPRING MOUNTING BRACKET FROM TRANSMISSION. REINSTALL HARDWARE WITH AN ADDITIONAL 5/16" WASHER
- 2 BEND SPRING MOUNTING BRACKET FROM 90° TO 108°
- 3 PIVOT DIFF-LOCK CONTROL ARM COMPLETELY OUT (AS SHOWN) THEN REINSTALL SPRING MOUNTING BRACKET AT POSITION TO HOLD DIFF-LOCK ARM OUT IN THE "ON" POSITION
- 5 APPLY ANTI-SEIZE LUBRICANT

ITEM NO.	PART NUMBER	DESCRIPTION	QTY.
1	10-0935	K62 TRANSMISSION A	1
2	10-1217	1" SAE WASHER	2
3	10-0875	SPACER	1
4	10-0847	WHEEL HUB	1
5	10-1219	1/2"-20 LUG NUT	8
6	10-1116	KEY 1/4" x 1.25"	2
7	10-1110	WASHER MACHINE	3
8	10-0892	SPACER 2.75" LG	1
9	10-1097	WHEEL HUB BUSHING	1
10	10-0104	BRONZE BUSHING	2
11	10-1113	E-CLIP	1
12	10-1120	ZERK FITTING	2
13	10-0846	TIRE AND RIM A	2
14	10-1222	1/8" x 1-3/4" COTTER PIN	1

NOTE: DOES NOT INCLUDE DIFF-LOCK OR WHEEL LOCK KITS. ALL HARDWARE IS GRADE 5, PLATED AND COARSE THREAD UNLESS OTHERWISE SPECIFIED

TURFTEQ

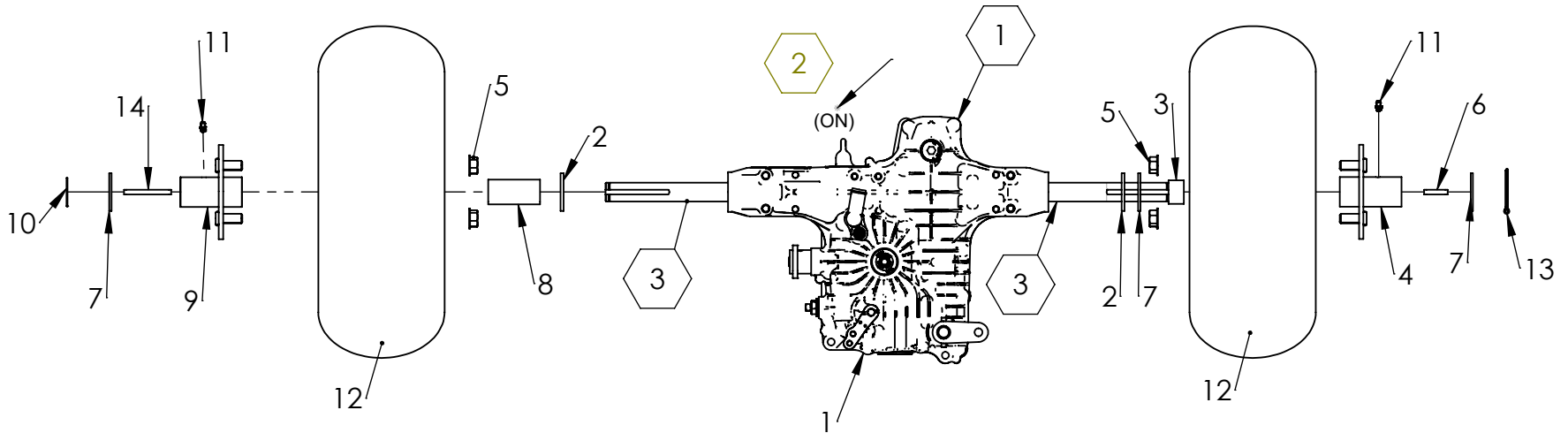
02/06/19

MODEL 1305

EDGER TRANS. CONFIG.

PAGE 7

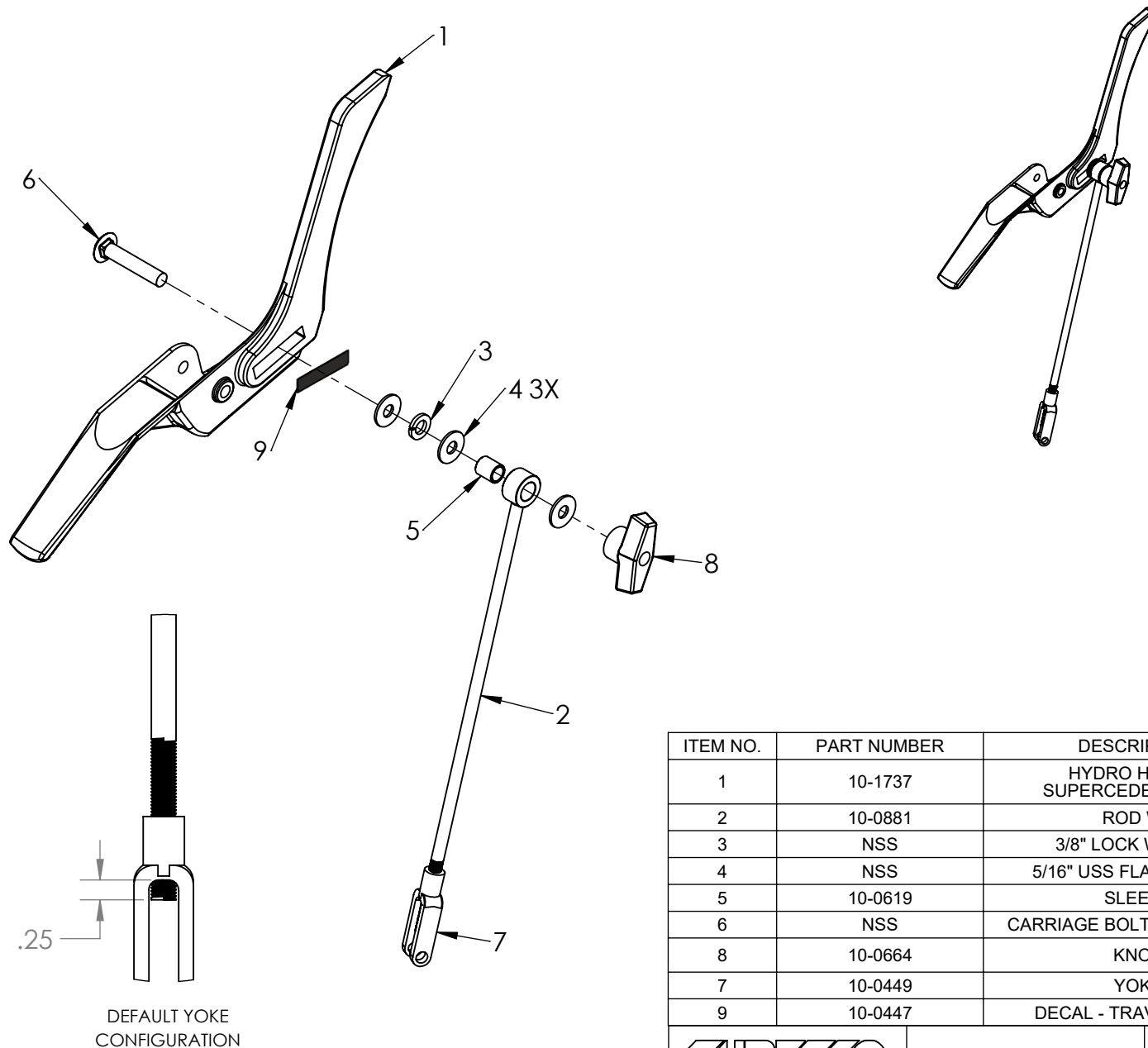
TRANSMISSION CONFIGURATION FOR 1305BR, 1305PR1, 1305BC, 1305PL



- 1 REMOVE SPRING AND SPRING MOUNTING BRACKET FROM TRANSMISSION. REINSTALL HARDWARE WITH AN ADDITIONAL 5/16" WASHER
- 2 PIVOT DIFF-LOCK CONTROL ARM COMPLETELY ON (AS SHOWN)
- 3 APPLY ANTI-SEIZE LUBRICANT

ITEM NO.	PART NUMBER	DESCRIPTION	QTY.
1	10-0935	K62 TRANSMISSION A	1
2	10-1217	1" SAE WASHER	2
3	10-0875	SPACER	1
4	10-0847	WHEEL HUB	1
5	10-1219	1/2"-20 LUG NUT	8
6	10-1116	KEY 1/4" x 1.25"	2
7	10-1110	WASHER MACHINE	3
8	10-0892	SPACER 2.75" LG	1
9	10-1097	WHEEL HUB BUSHING	1
10	10-1113	E-CLIP	1
11	10-1120	ZERK FITTING	2
12	10-0846	TIRE AND RIM A	2
13	10-1222	1/8" x 1-3/4" COTTER PIN	1
14	10-1797	KEY 1/4 X 2.5	1

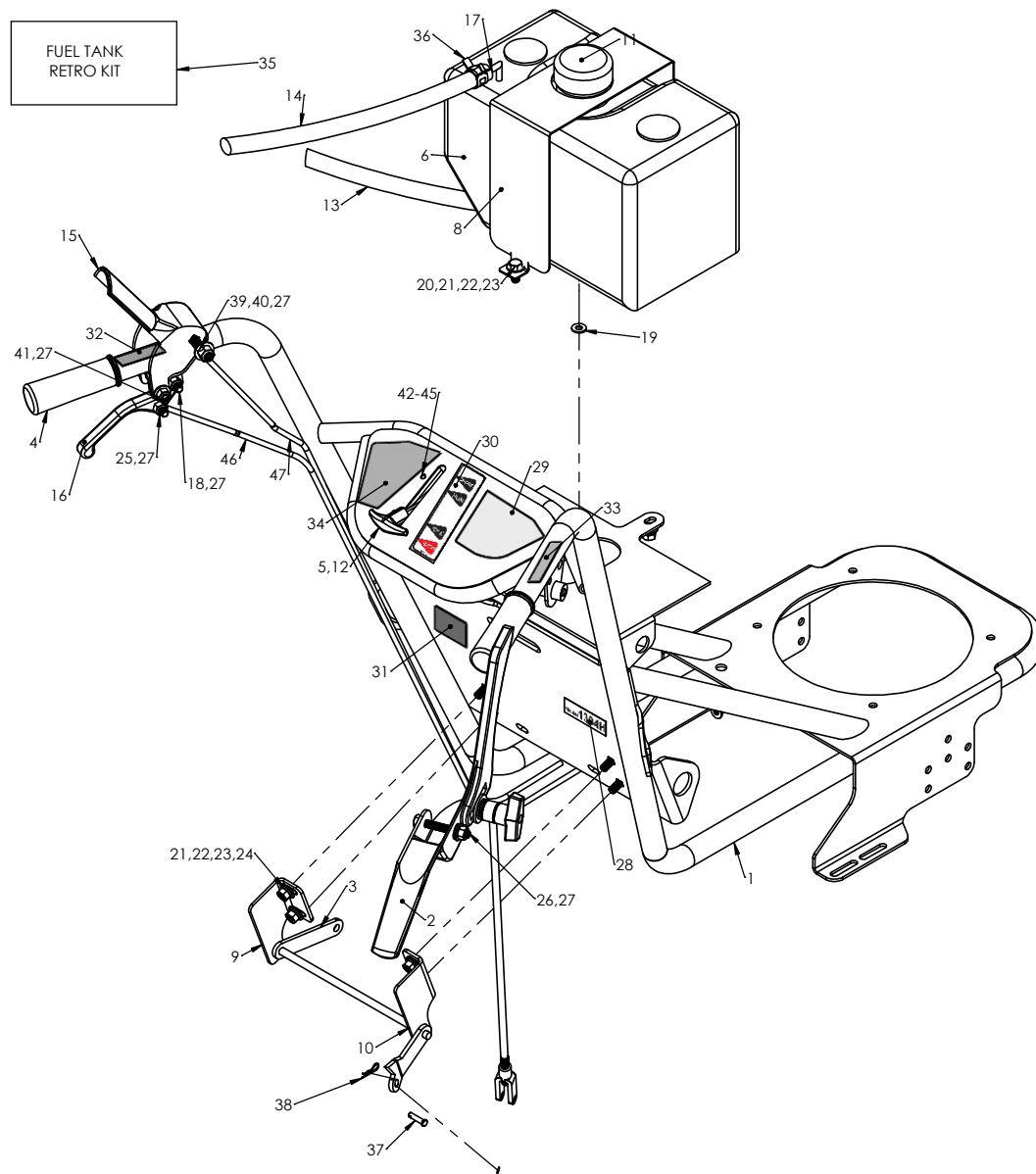
NOTE: DOES NOT INCLUDE DIFF-LOCK OR WHEEL LOCK KITS. ALL HARDWARE IS GRADE 5, PLATED AND COARSE THREAD UNLESS OTHERWISE SPECIFIED



ITEM NO.	PART NUMBER	DESCRIPTION	QTY.
1	10-1737	HYDRO HANDLE SUPERCEDES 10-0254	1
2	10-0881	ROD WA	1
3	NSS	3/8" LOCK WASHER	1
4	NSS	5/16" USS FLAT WASHER	3
5	10-0619	SLEEVE	1
6	NSS	CARRIAGE BOLT 3/8"-16 x 2" LG	1
8	10-0664	KNOB	1
7	10-0449	YOKE	1
9	10-0447	DECAL - TRAVEL SPEED	1

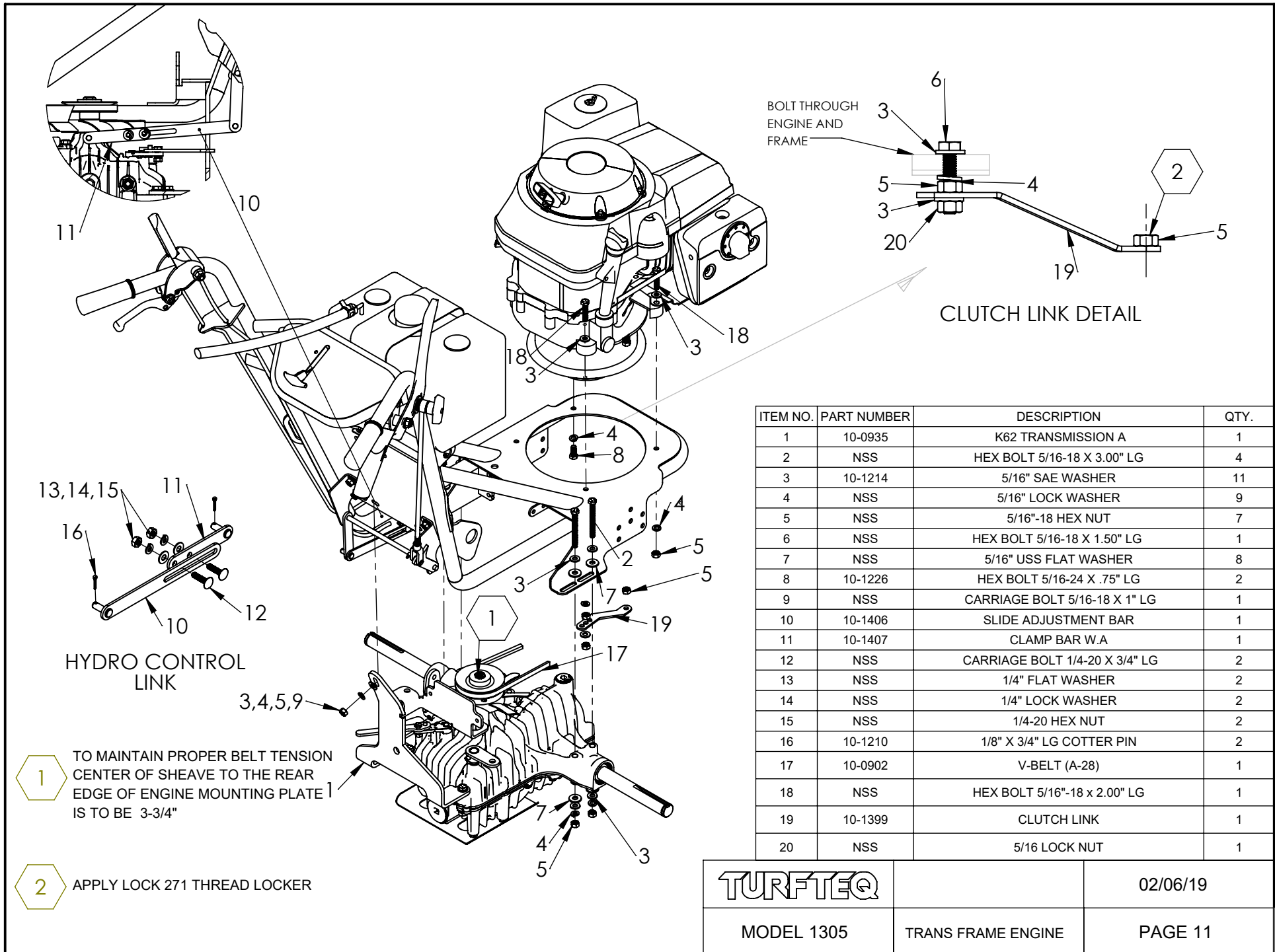
<b>TURFTEQ</b>	10-0682	02/06/19
MODEL 1305	HYDRO HANDLE A	PAGE 9

ITEM NO.	PART NUMBER	DESCRIPTION	QTY.
1	10-1670	MAIN FRAME	1
2	10-0682	HYDRO HANDLE ASSY.	1
3	10-0855	HYDRO HANDLE LINK	1
4	10-0190	HANDLE GRIP	2
5	10-1227	T-HANDLE	1
6	10-1616	2.5 GALLON FUEL TANK S/N: 01904 & ABOVE	1
7	10-0264	1 GALLON FUEL TANK S/N: 01903 & BELOW	1
8	10-1624	FUEL TANK MTG. BRACKET S/N: 01904 & ABOVE	1
9	10-0339	HYDRO PIVOT BRACKET LH	1
10	10-0340	HYDRO PIVOT BRACKET RH	1
11	10-1617	2.5 GALLON FUEL TANK CAP S/N: 01904 & ABOVE	1
12	10-0135	THROTTLE CABLE	1
13	10-1618	FUEL LINE SUPPLY - 19" S/N: 01904 & ABOVE	1
14	10-1619	FUEL LINE EMISSION - 48" S/N: 01904 & ABOVE	1
15	10-1739	CLUTCH HANDLE SUPERCEDES 10-1400	1
16	10-1738	SECTOR TRIGGER	1
17	10-1749	1/4 BARB W/ GROMMET KIT	1
18	NSS	HEX BOLT 5/16 X 1/3/4	1
19	10-1742	FUEL SUPPLY LINE GROMMET	1
20	NSS	HEX BOLT 5/16"-18 x 1.00"LG	2
21	NSS	5/16" FLAT WASHER	8
22	NSS	5/16" LOCK WASHER	6
23	NSS	HEX NUT 5/16"-18	6
24	NSS	CARRIAGE BOLT 5/16"-18 x 3/4" LG	4
25	NSS	HEX BOLT 5/16 X 1-1/4"LG	1
26	NSS	HEX BOLT 5/16"-18 x 2-1/4"LG	1
27	NSS	5/16"-18 LOCK NUT	1
28	10-0911	MODEL 1305 DECAL	1
29	10-0439	WARNING DECAL	1
30	10-0441	CHOKE-RUN-IDLE-STOP DECAL	1
31	10-1376	"MADE IN THE USA" DECAL	1
32	10-0446	ENGAGE DISENGAGE DECAL	1
33	10-0448	FORWARD REVERSE DECAL	1
34	10-1415	GASOLINE/PPE DECAL	1
35	10-1671	CONVERT 1 GAL. FUEL TANK TO 2.5 GAL. FUEL TANK	1
36	10-1230	CONSTANT-TENSION SPRING HOSE CLAMP	4
37	10-0615	5/16" x 1.00" CLEVIS PIN	1
38	10-1434	HAIR PIN COTTER 1/8" X 1-3/4"	1
39	NSS	CARRIAGE BOLT 5/16"-18 X 1.00"LG	1
40	NSS	5/16"-18 JAM NUT	1
41	NSS	HEX BOLT 5/16"-18 x 2.50" LG	1
42	NSS	PAN HEAD MACHINE SCREW #10 x .75"	2
43	NSS	#10 WASHER	2
44	NSS	#10 LOCK WASHER	2
45	NSS	#10 NUT	2
46	10-1271	TENSION CABLE	1
47	10-1270	CLUTCH CABLE WITH SPRING	1



NOTE: ALL HARDWARE IS GRADE 5, PLATED AND COARSE THREAD UNLESS OTHERWISE SPECIFIED

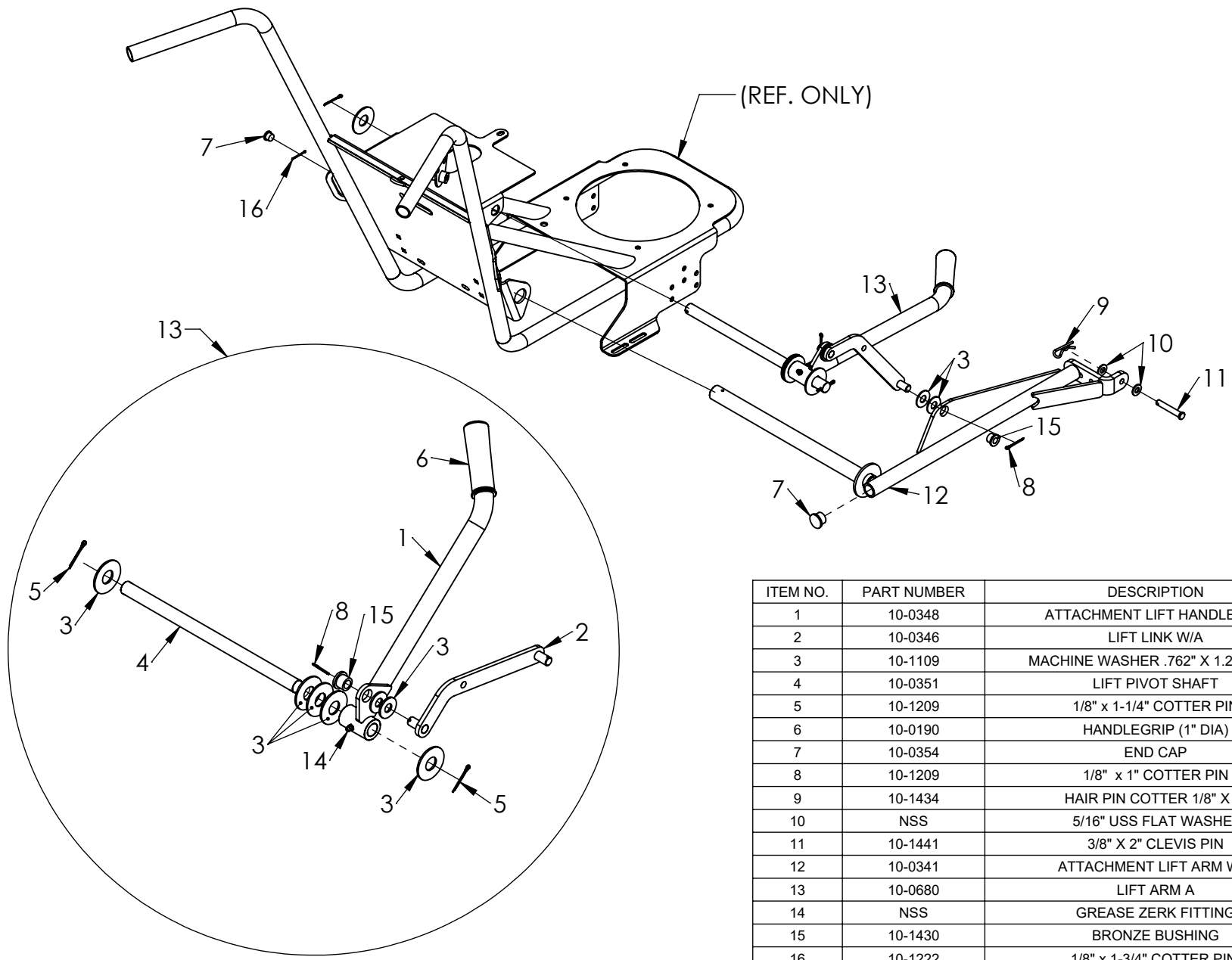
TURF TEQ LLC		2/18/2019
MODEL 1305	FRAME A	PAGE 10



ITEM NO.	PART NUMBER	DESCRIPTION	QTY.
1	10-0935	K62 TRANSMISSION A	1
2	NSS	HEX BOLT 5/16-18 X 3.00" LG	4
3	10-1214	5/16" SAE WASHER	11
4	NSS	5/16" LOCK WASHER	9
5	NSS	5/16"-18 HEX NUT	7
6	NSS	HEX BOLT 5/16-18 X 1.50" LG	1
7	NSS	5/16" USS FLAT WASHER	8
8	10-1226	HEX BOLT 5/16-24 X .75" LG	2
9	NSS	CARRIAGE BOLT 5/16-18 X 1" LG	1
10	10-1406	SLIDE ADJUSTMENT BAR	1
11	10-1407	CLAMP BAR W.A	1
12	NSS	CARRIAGE BOLT 1/4-20 X 3/4" LG	2
13	NSS	1/4" FLAT WASHER	2
14	NSS	1/4" LOCK WASHER	2
15	NSS	1/4-20 HEX NUT	2
16	10-1210	1/8" X 3/4" LG COTTER PIN	2
17	10-0902	V-BELT (A-28)	1
18	NSS	HEX BOLT 5/16"-18 x 2.00" LG	1
19	10-1399	CLUTCH LINK	1
20	NSS	5/16 LOCK NUT	1

**1** TO MAINTAIN PROPER BELT TENSION CENTER OF SHEAVE TO THE REAR EDGE OF ENGINE MOUNTING PLATE IS TO BE 3-3/4"

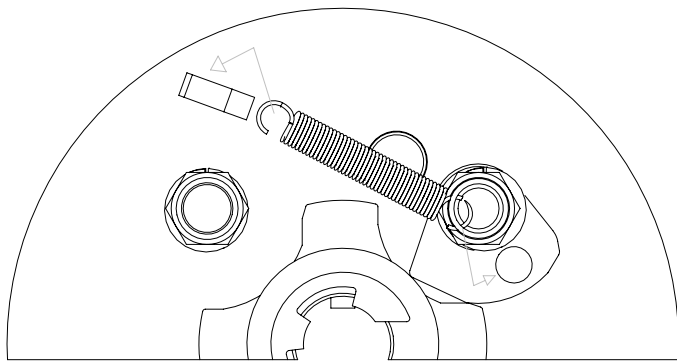
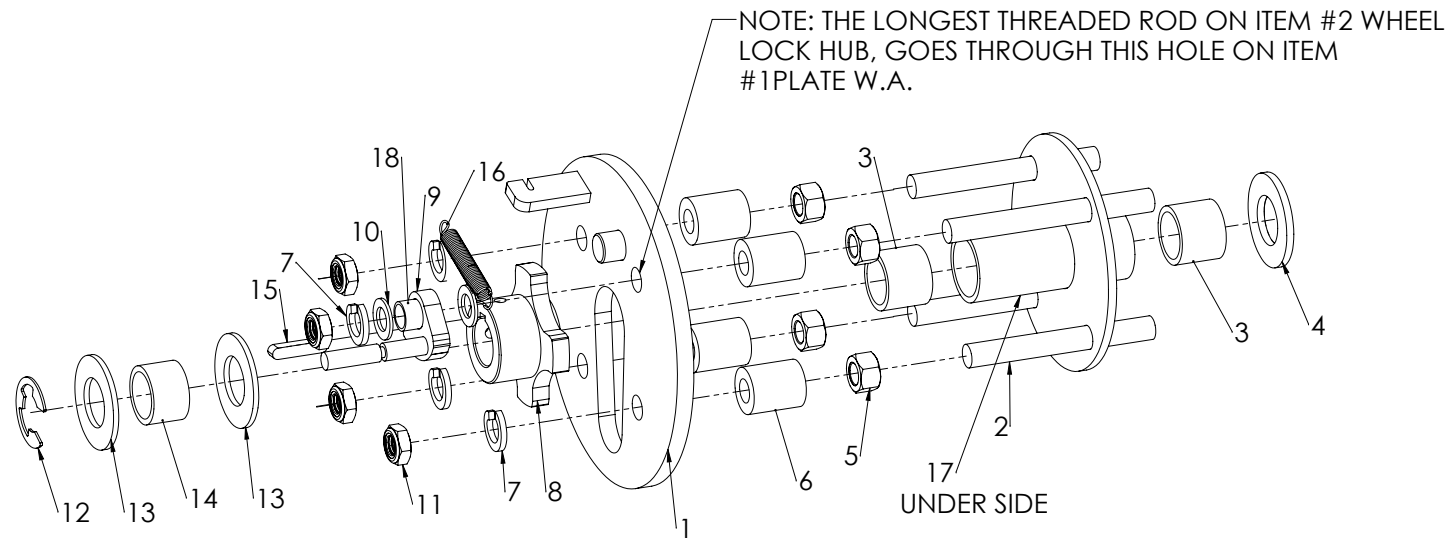
**2** APPLY LOCK 271 THREAD LOCKER



NOTE: ALL HARDWARE IS GRADE 5, PLATED AND COARSE THREAD UNLESS OTHERWISE SPECIFIED

ITEM NO.	PART NUMBER	DESCRIPTION	QTY.
1	10-0348	ATTACHMENT LIFT HANDLE W/A	1
2	10-0346	LIFT LINK W/A	1
3	10-1109	MACHINE WASHER .762" X 1.25" X .07	9
4	10-0351	LIFT PIVOT SHAFT	1
5	10-1209	1/8" x 1-1/4" COTTER PIN	3
6	10-0190	HANDLEGRIP (1" DIA)	1
7	10-0354	END CAP	1
8	10-1209	1/8" x 1" COTTER PIN	2
9	10-1434	HAIR PIN COTTER 1/8" X 1"	1
10	NSS	5/16" USS FLAT WASHER	2
11	10-1441	3/8" X 2" CLEVIS PIN	1
12	10-0341	ATTACHMENT LIFT ARM W/A	1
13	10-0680	LIFT ARM A	1
14	NSS	GREASE ZERK FITTING	1
15	10-1430	BRONZE BUSHING	2
16	10-1222	1/8" x 1-3/4" COTTER PIN	1

	K1305LK	02/06/19
	MODEL 1305	LIFT KIT A



SPRING DETAIL

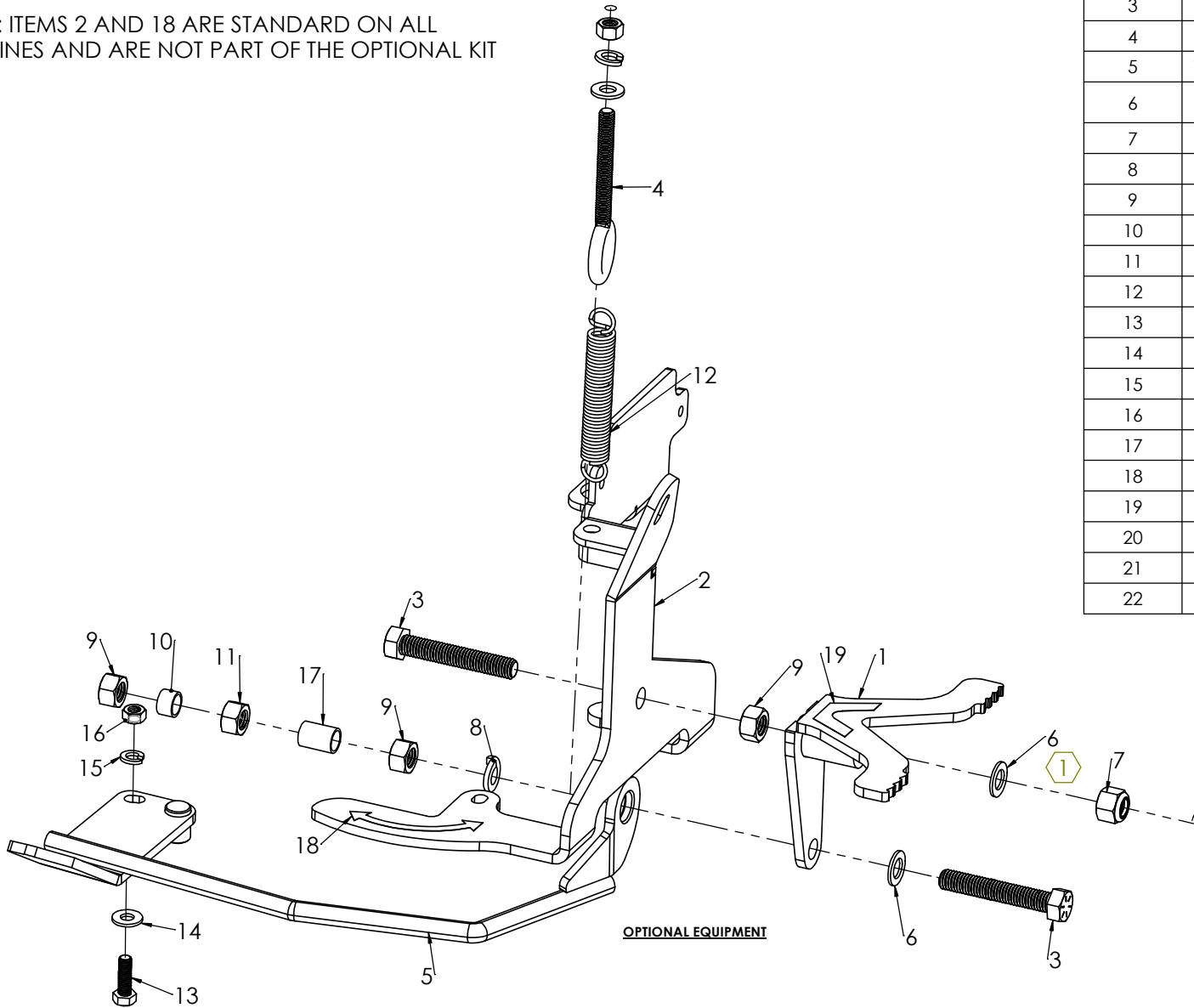
**OPTIONAL EQUIPMENT**

ITEM NO.	PART NUMBER	DESCRIPTION	QTY.
1	10-0921	PLATE W.A.	1
2	10-0874	WHEEL HUB LOCK	1
3	10-0104	BUSHING	2
4	10-1217	WASHER 1" SAE	1
5	10-1219	LUG NUT 1/2" FINE THREAD	4
6	10-0876	SPACER	4
7	NSS	LOCK WASHER 1/2	4
8	10-0871	WHEEL ENGAGEMENT HUB	1
9	10-0879	ENGAGEMENT W.A.	1
10	10-1106	WASHER 1/2 MACHINE 1/2 X 7/8 X .07	2
11	10-1218	JAM NUT 1/2 FINE THREAD	4
12	10-1113	E CLIP 1"	1
13	10-1110	WASHER 1" MACHINE 1 X 1.5 X .07	2
14	10-0875	SPACER	1
15	10-1116	KEY 1/4 X 1.25	1
16	10-1297	EXTENSION SPRING	1
17	10-1743	GREASE FITTING	1
18	10-0843	SPACER	1

NOTES: ALL HARDWARE IS GRADE 5, PLATED AND COURSE THREAD UNLESS OTHERWISE SPECIFIED

TURF TEQ LLC	K1305WL,10-0936	4/24/2023
MODEL 1305	WHEEL LOCK KIT	PAGE 13

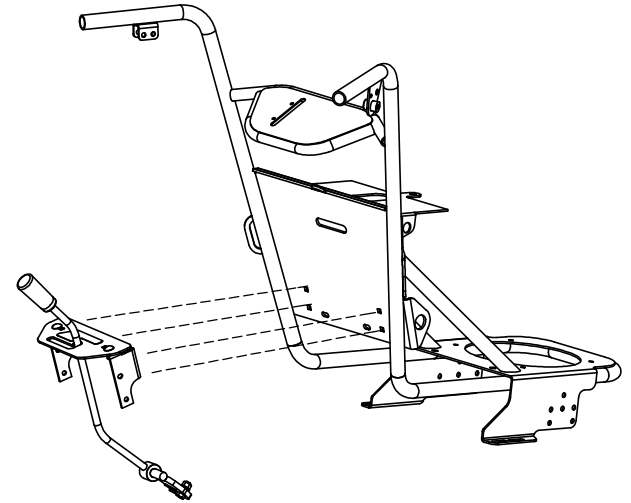
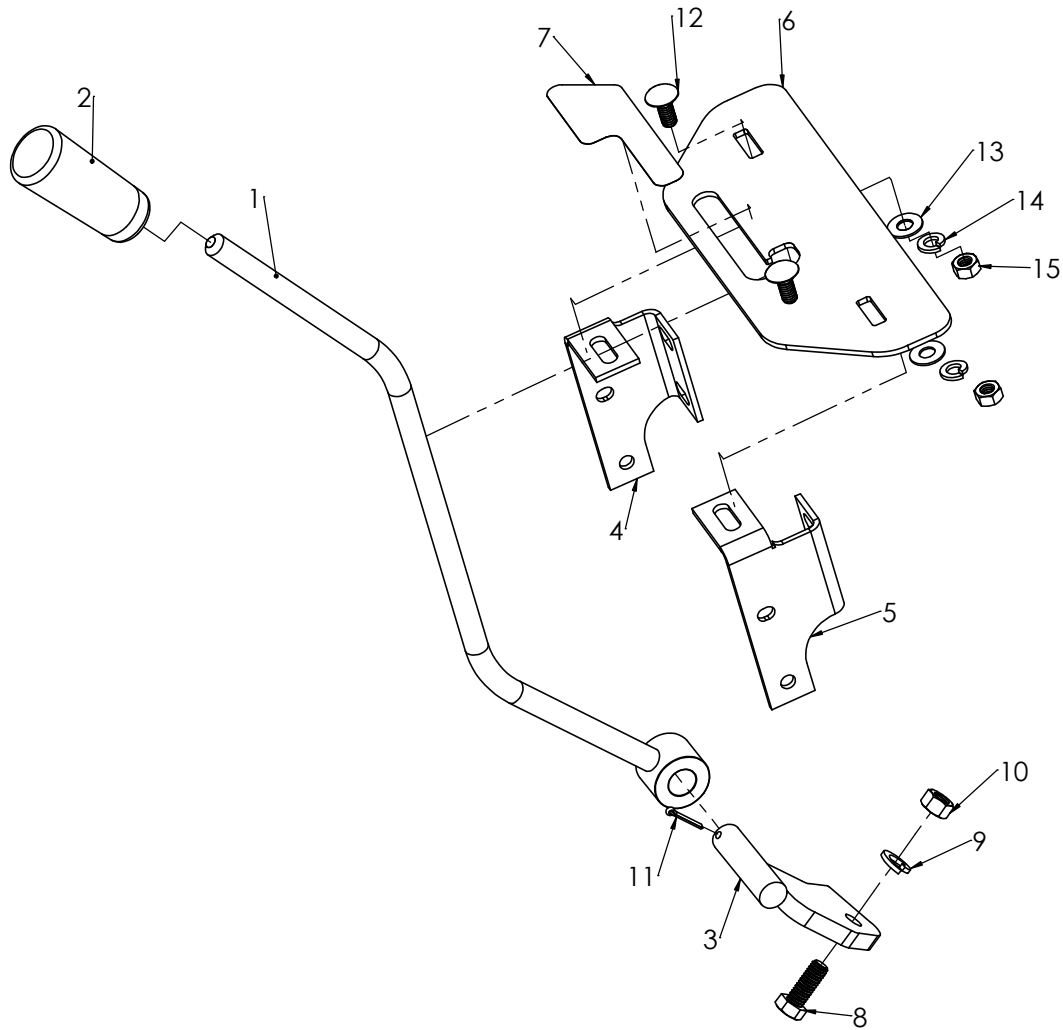
**NOTES:** ITEMS 2 AND 18 ARE STANDARD ON ALL MACHINES AND ARE NOT PART OF THE OPTIONAL KIT



ITEM NO.	PART NUMBER	DESCRIPTION	QTY.
1	10-0817	ARM W.A.	1
2	10-1630	REAR TRANS. SUPPORT BRACKET	1
3	NSS	HEX TAP BOLT 1/2 X 3	2
4	10-0757	EYE BOLT 3/4 X 4	1
5	10-0867 'A'	ARM W.A.	1
6	10-1106	WASHER 1/2 MACHINE 1/2 X 7/8 X .07	2
7	10-1220	LOCK NUT 1/2	1
8	NSS	LOCK WASHER 1/2	1
9	10-1204	JAM NUT 1/2	3
10	10-0843	SPACER	1
11	NSS	NUT 1/2	1
12	10-0756	SPRING	1
13	NSS	HEX BOLT 5/16 X 1	1
14	10-1214	WASHER 5/16 SAE	1
15	NSS	5/16 LOCK WASHER	1
16	NSS	NUT 5/16	1
17	10-0883	BUSHING	1
18	10-0884	DECAL	1
19	10-0885	DECAL	1
20	10-1221	3/8 WASHER	1
21	NSS	3/8 LOCK WASHER	1
22	NSS	3/8 HEX NUT	1

1. INSTALL NUT SO THERE IS 1/16" GAP BETWEEN 6 AND 7

TURF TEQ LLC	K1305DL,10-0937	2/18/2019
MODEL 1305	DIFFERENTIAL LOC KIT	PAGE 14



ITEM NO.	PART NUMBER	DESCRIPTION	QTY.
1	10-0758	PARK BRAKE HANDLE W.A.	1
2	10-0332	HANDLE GRIP	1
3	10-0760	PARK BRAKE BASE W.A.	1
4	10-1385	LH HYDRO PIVOT BRACKET	1
5	10-1386	RH HYDRO PIVOT BRACKET	1
6	10-0803	PARK BRAKE PLATE	1
7	10-0888	DECAL - PARK BRAKE	1
8	NSS	HEX BOLT 3/8 X 1	1
9	NSS	LOCK WASHER 3/8	1
10	NSS	NUT 3/8	1
11	10-1210	3/32 X 3/4 COTTER PIN	1
12	NSS	CARRIAGE BOLT 5/16 X 3/4	2
13	NSS	5/16 FLAT WASHER	2
14	NSS	5/16 LOCK WASHER	2
15	NSS	5/16 NUT	2

TURF TEQ LLC	K1305PB	2/18/2019
MODEL 1305	PARK BRAKE KIT	PAGE 15