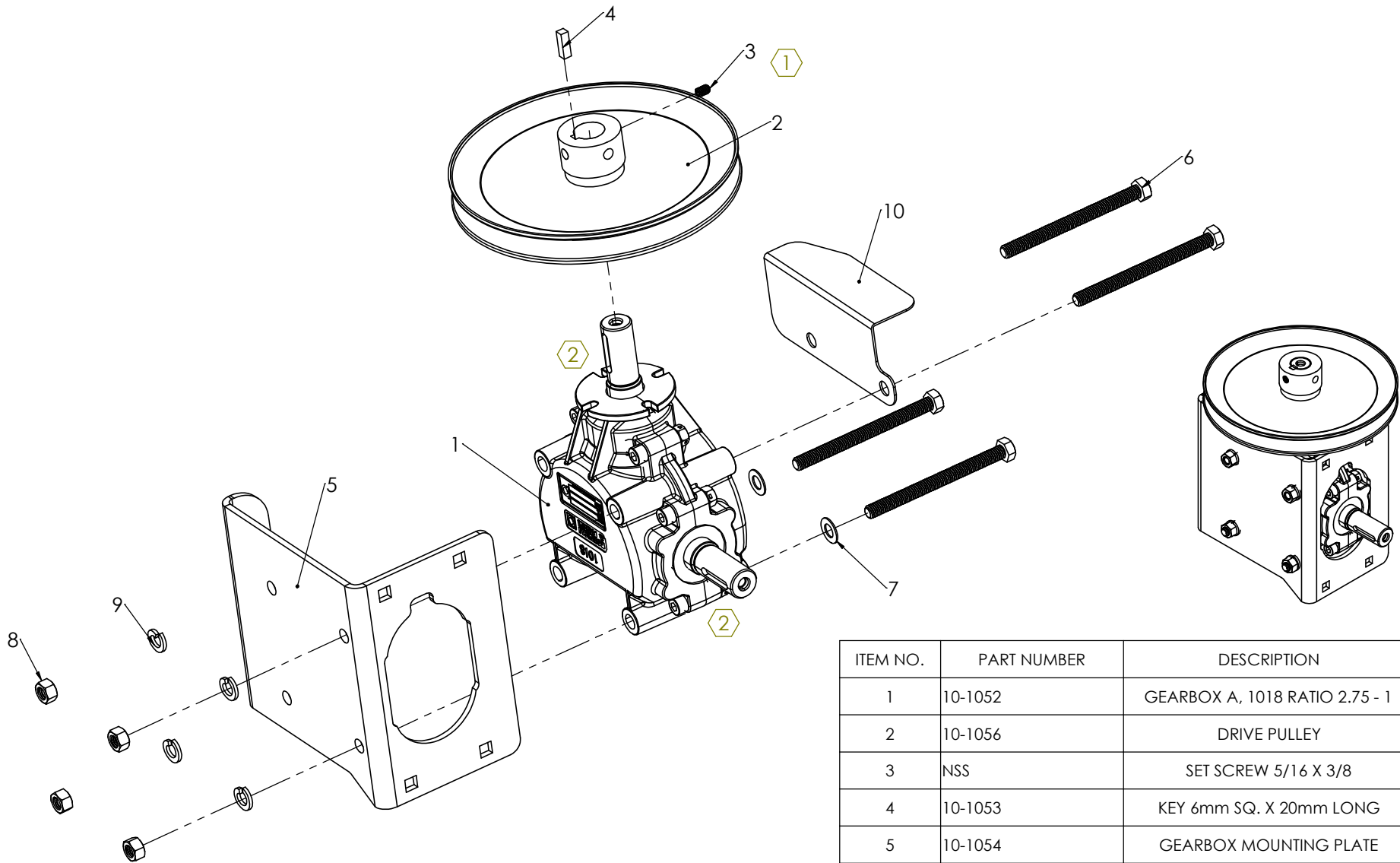




**POWER RAKE
PARTS CATALOG
MODEL A1305P1**

<u>Description</u>	<u>Page Number</u>
TABLE OF CONTENTS	2
GEARBOX DETAIL	3
MAIN FRAME – 10-1098	4
FLOTATION WHEEL – 10-1099	5
RAKE LATCH KIT – 10-1730	6
RAKE LATCH ASM – 10-1706	7
TRIGGER CABLE W LATCH – 10-1729	8
ROTOR DRIVE A – 10-1101	9
TRANSPORT RELEASE A – 10-1102	10
DUST SHIELD A – 10-1103	11

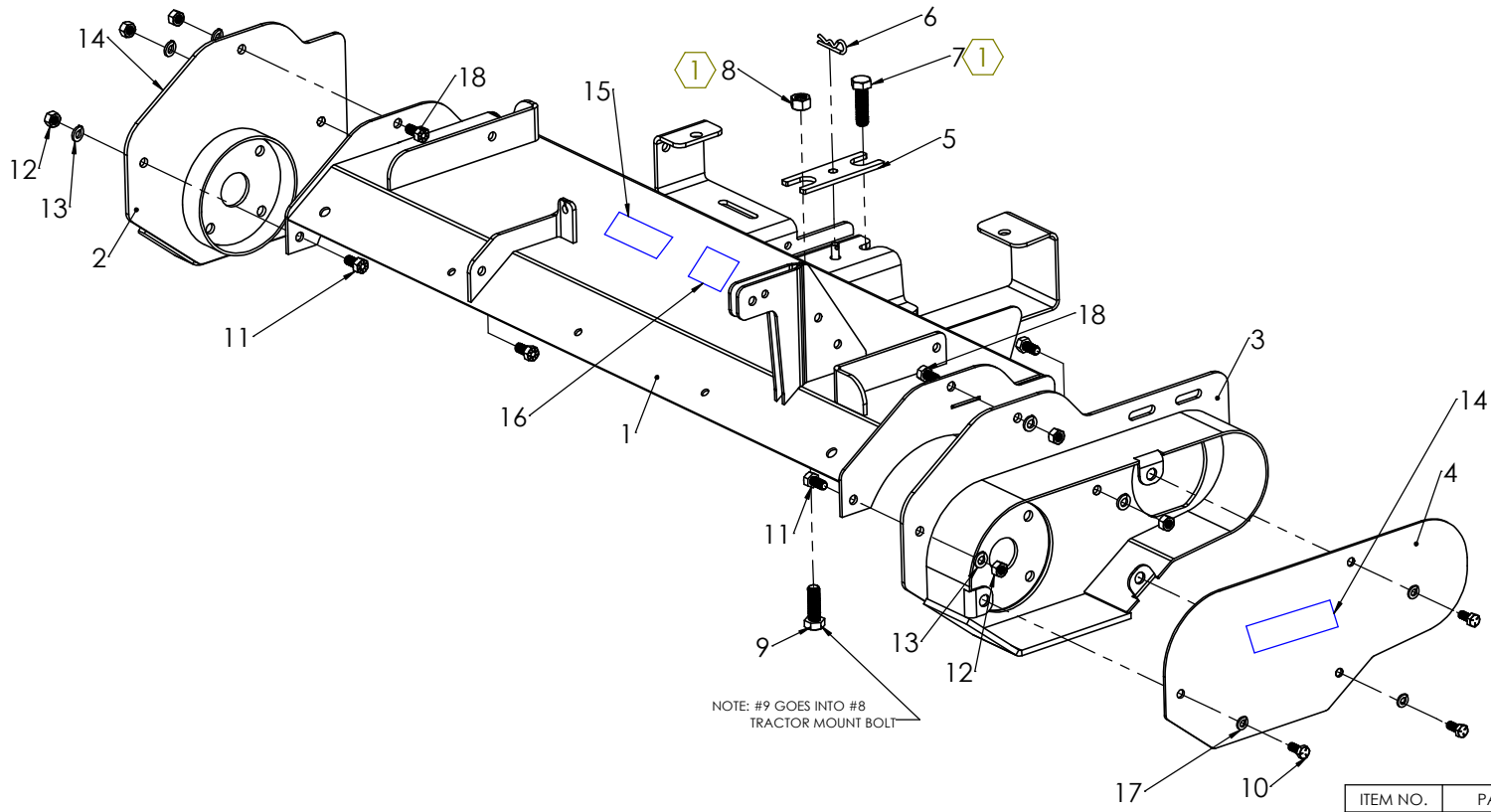


① SUPPLIED W/PN 10-1056

② APPLY ANTI-SEIZE

NOTES: ALL HARDWARE IS GRADE 5, PLATED AND COARSE THREAD UNLESS OTHERWISE SPECIFIED

ITEM NO.	PART NUMBER	DESCRIPTION	QTY.
1	10-1052	GEARBOX A, 1018 RATIO 2.75 - 1	1
2	10-1056	DRIVE PULLEY	1
3	NSS	SET SCREW 5/16 X 3/8	2
4	10-1053	KEY 6mm SQ. X 20mm LONG	1
5	10-1054	GEARBOX MOUNTING PLATE	1
6	10-1064	HEX BOLT 3/8-16UNC X 4-1/2	4
7	NSS	FLAT WASHER 3/8	2
8	NSS	NUT 3/8-16	4
9	NSS	LOCK WASHER 3/8	4
10	10-1055	SHIELD, BELT UNDERSIDE	1
TURF TEQ LLC		GEAR BOX DETAIL	9/5/2019
MODEL 1305			PAGE 3



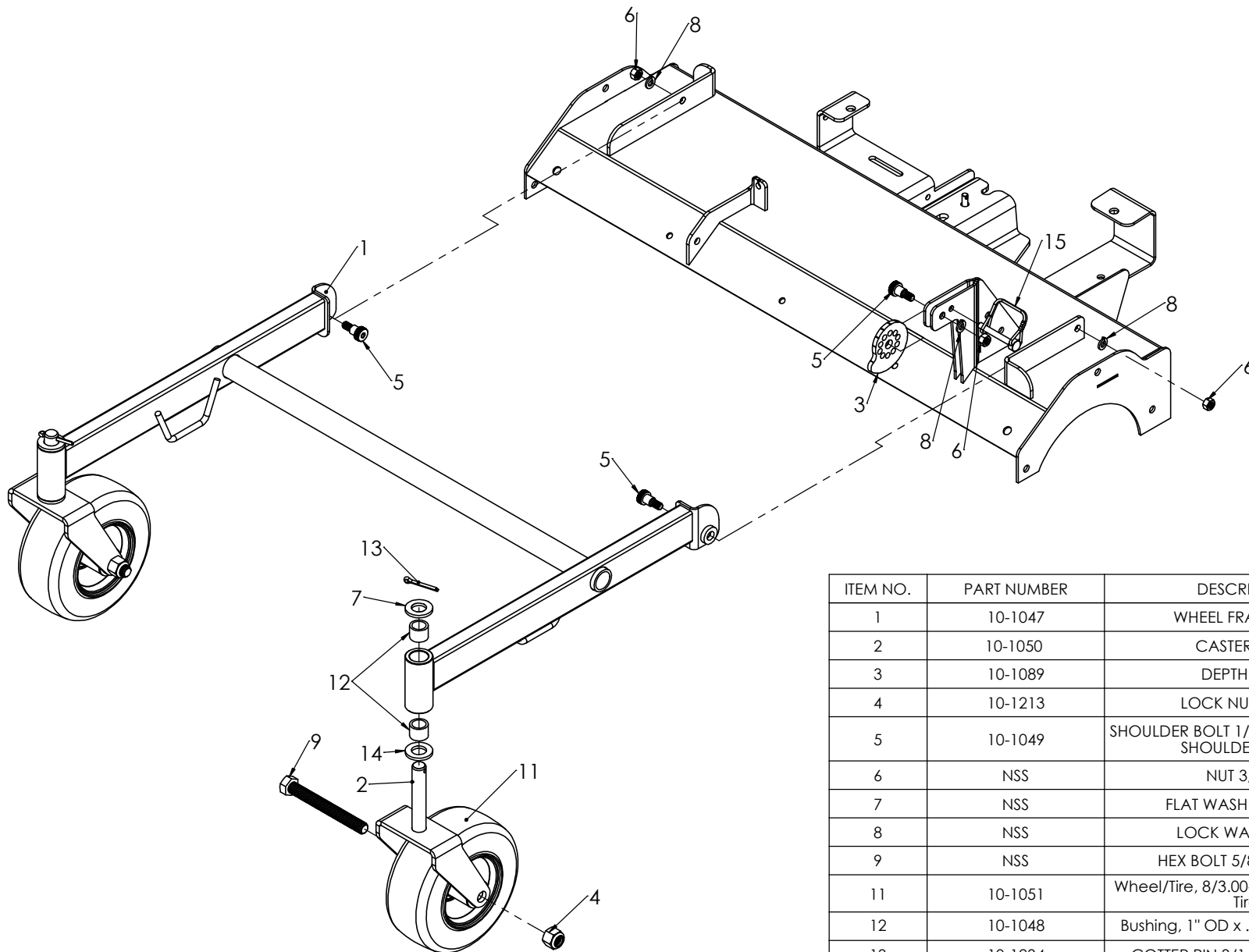
NOTE: #9 GOES INTO #8
TRACTOR MOUNT BOLT

1 TORQUE TO 83 FT.LBS

ITEM NO.	PART NUMBER	DESCRIPTION	QTY.
1	10-1043	MAIN FRAME	1
2	10-1044	RH END PLATE	1
3	10-1045	LH DRIVE ENCLOSURE END PLATE	1
4	10-1046	DRIVE ENCLOSURE ACCESS COVER	1
5	10-1378	SECTOR H PLATE	1
6	10-1434	HAIR PIN - COTTER 1/8 X 1-3/4	1
7	10-1433	FLANGE BOLT 1/2-13 X 1-3/4	1
8	101432	NUT 1/2-13 SMOOTH FLANGE	1
9	10-1431	HEX BOLT 1/2-13 X 1-1/2 SERRATED FLANGE	1
10	NSS	HEX BOLT 5/16-18 X 3/4	3
11	NSS	HEX BOLT 3/8-16 X 1	2
12	NSS	NUT 3/8-16	6
13	NSS	LOCK WASHER 3/8	6
14	10-1173	DECAL ROTATING TEETH	2
15	10-0438	DECAL - WARNING MOVING PARTS	1
16	10-1693	DECAL - RAKE	1
17	NSS	5/16 LOCK WASHER	3
18	NSS	HEX BOLT 3/8-16 X 3/4	4

NOTES: ALL HARDWARE IS GRADE 5, PLATED AND COARSE THREAD UNLESS OTHERWISE SPECIFIED

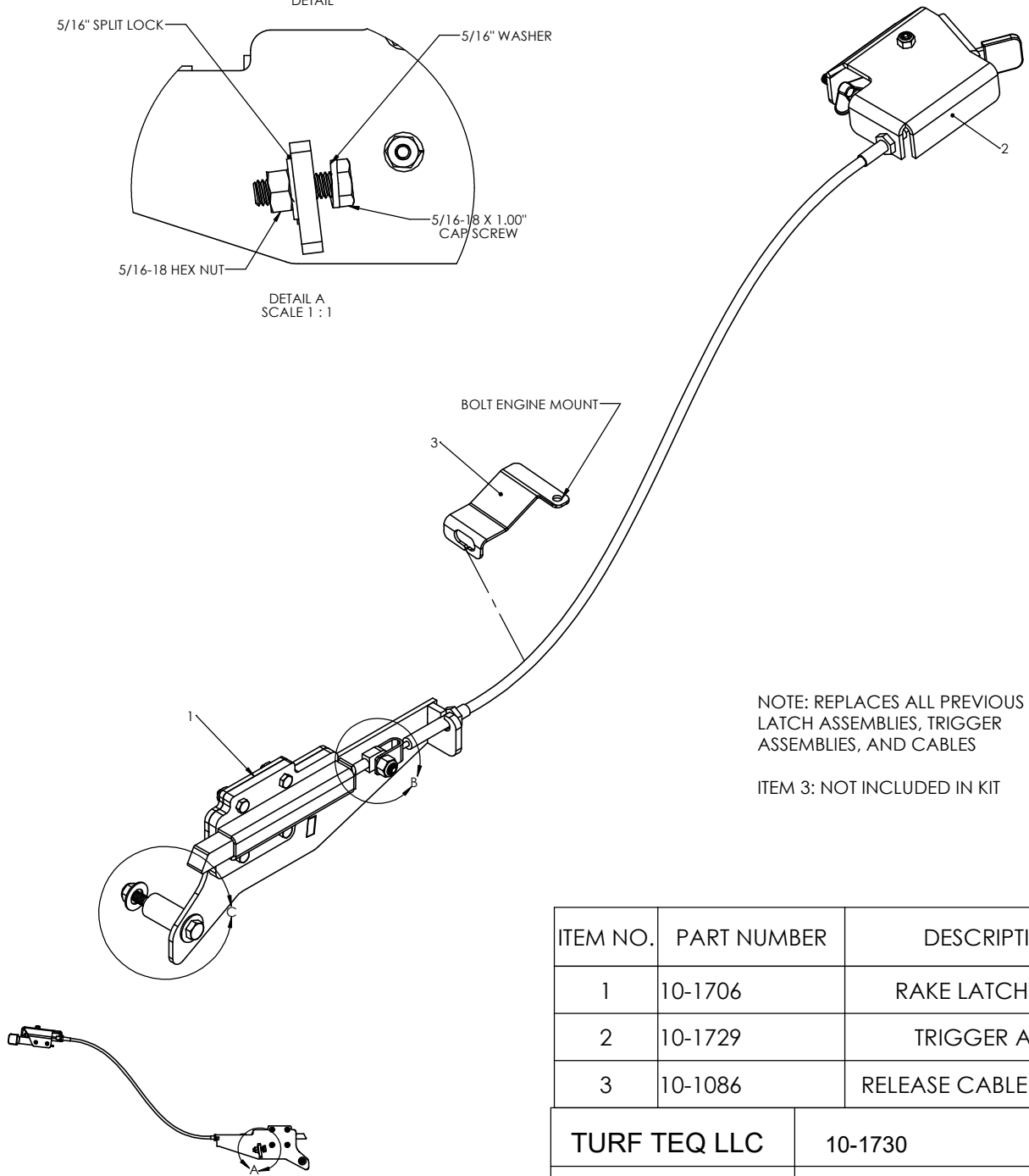
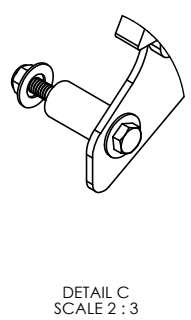
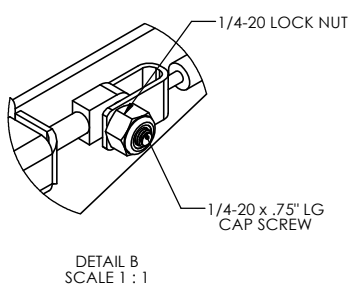
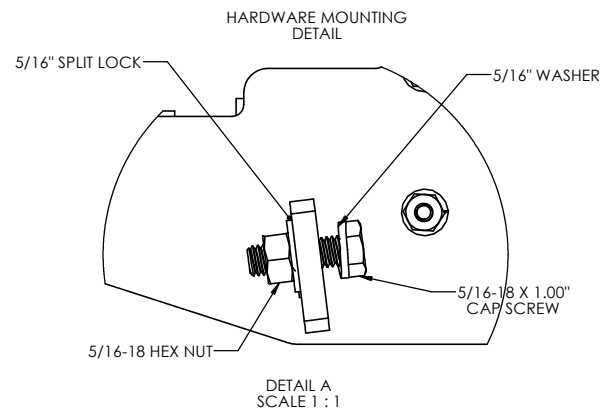
TURF TEQ LLC	10-1098	8/12/2019
MODEL 1305	MAIN FRAME A	PAGE 4



ITEM NO.	PART NUMBER	DESCRIPTION	QTY.
1	10-1047	WHEEL FRAME W.A.	1
2	10-1050	CASTER FORK	2
3	10-1089	DEPTH CAM	1
4	10-1213	LOCK NUT 5/8-11	2
5	10-1049	SHOULDER BOLT 1/2 DIA X 1/2 LONG SHOULDER 3/8-16	3
6	NSS	NUT 3/8-16	3
7	NSS	FLAT WASHER 3/4 SAE	2
8	NSS	LOCK WASHER 3/8	3
9	NSS	HEX BOLT 5/8-11 X 5-1/2	2
11	10-1051	Wheel/Tire, 8/3.00-4", Black Smooth Tire	2
12	10-1048	Bushing, 1" OD x .75" ID x .75" long	4
13	10-1234	COTTER PIN 3/16 X 1-1/2 LONG	2
14	NSS	3/4 X 1.5 OD PVC WASHER	2
15	10-1091	ROUND LOCK PIN W TAB 5/16 DIA X 2-5/8 LONG	1

NOTE: ALL HARDWARE IS GRADE 5, PLATED AND COARSE THREAD UNLESS OTHERWISE SPECIFIED

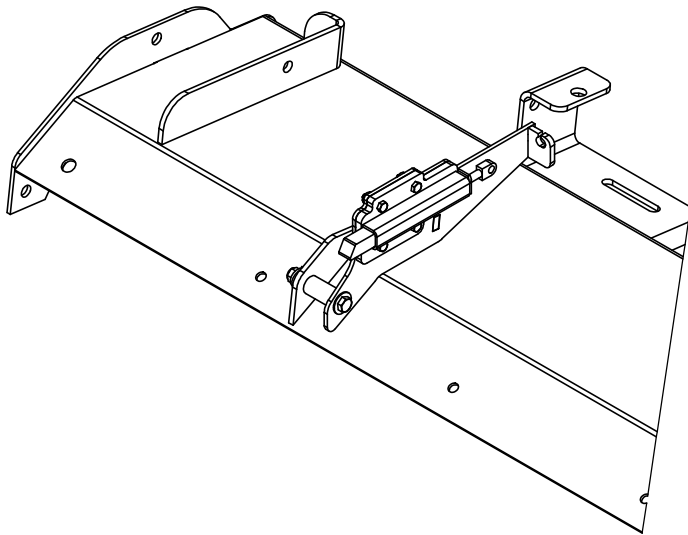
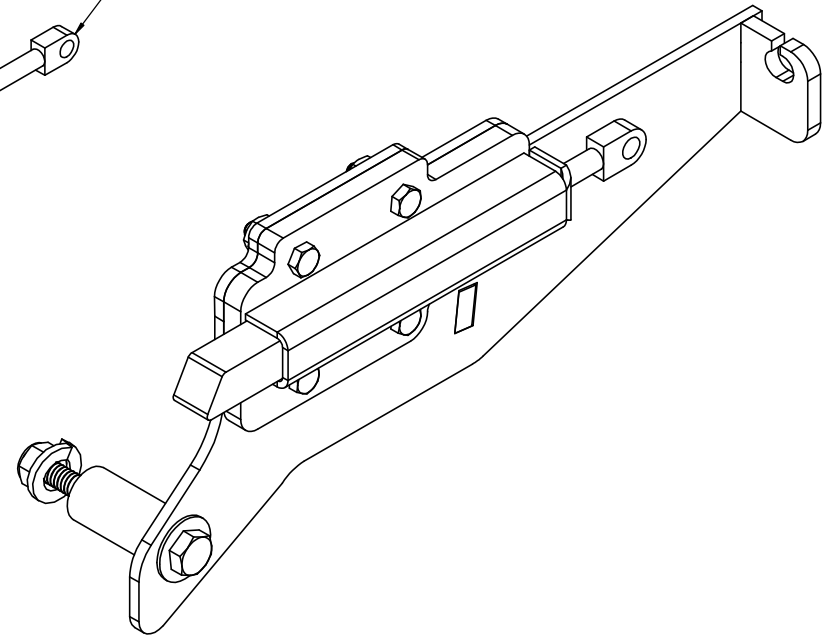
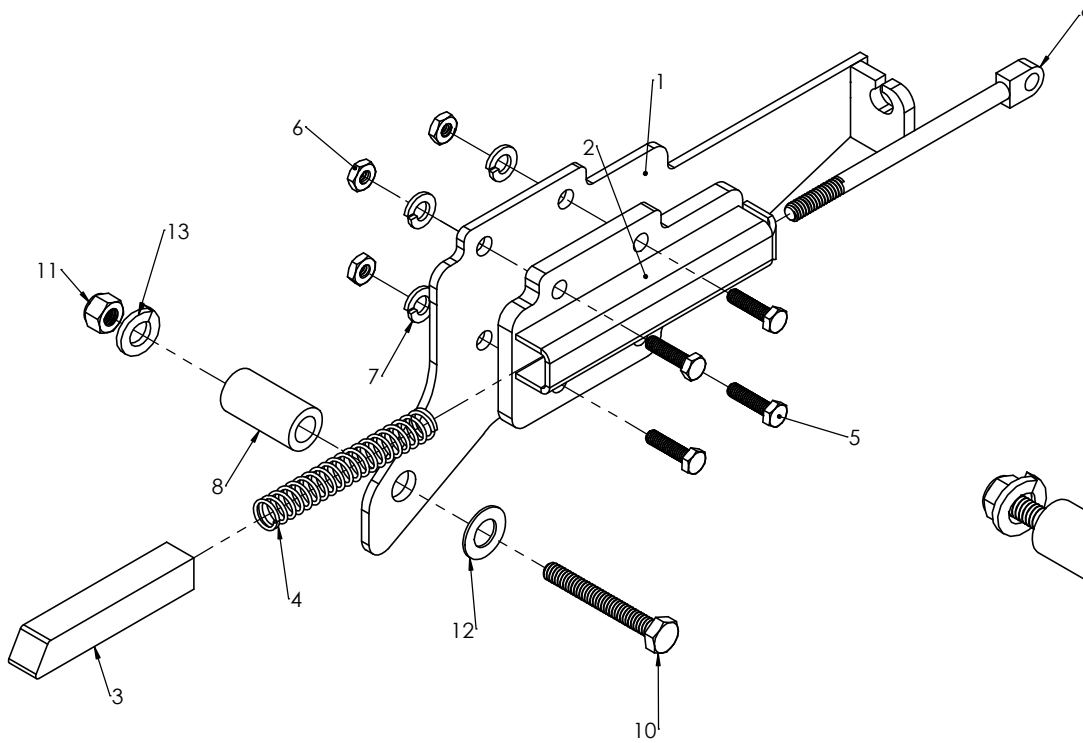
TURF TEQ LLC	10-1099	9/9/2019
MODEL 1305	FLOTATION WHEEL	PAGE 5



NOTE: REPLACES ALL PREVIOUS RAKE
LATCH ASSEMBLIES, TRIGGER
ASSEMBLIES, AND CABLES

ITEM 3: NOT INCLUDED IN KIT

ITEM NO.	PART NUMBER	DESCRIPTION	QTY.
1	10-1706	RAKE LATCH ASSY.	1
2	10-1729	TRIGGER ASSY.	1
3	10-1086	RELEASE CABLE HANGER	1
TURF TEQ LLC		10-1730	10/31/2019
MODEL 1305		RAKE LATCH KIT	PAGE 6



ITEM NO.	PART NUMBER	DESCRIPTION	QTY.
1	10-1736	KEY LATCH BASE	1
2	10-1726	LATCH HOUSING W/A	1
3	10-1711	KEY LATCH	1
4	10-1710	COMPRESSION SPRING	1
5	NSS	HEX BOLT 1/4-20 X .75" LG	4
6	NSS	NUT 1/4-20	4
7	NSS	LOCK WASHER 1/4	4
8	10-1713	1.25" LG SPACER	1
9	10-1727	KEY LATCH ROD W/A	1
10	NSS	HEX BOLT 3/8-16 X 2.25 LG	1
11	NSS	NUT 3/8-16	1
12	NSS	WASHER 3/8	1
13	NSS	LOCK WASHER 3/8	1

TURF TEQ LLC

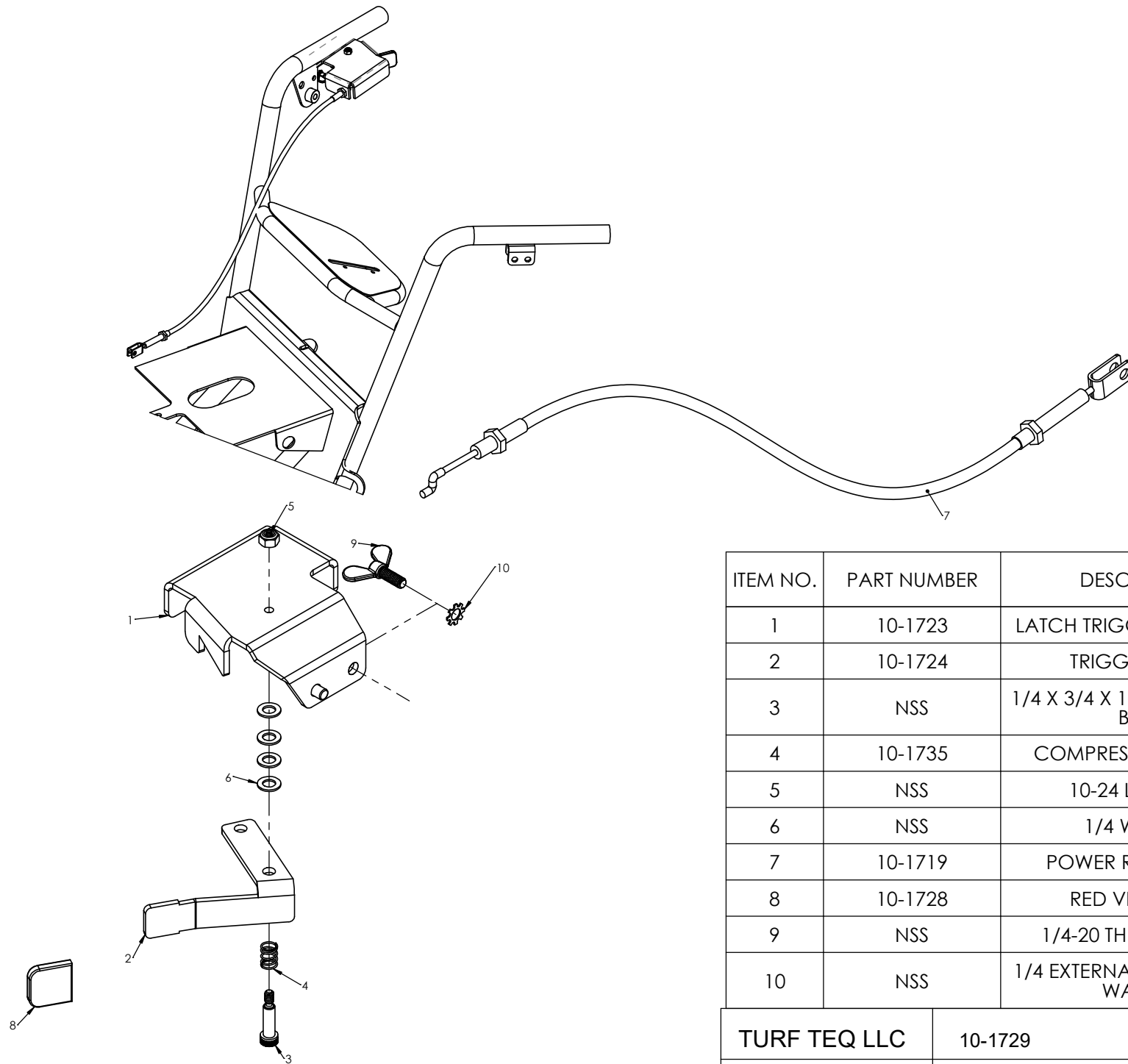
10-1706

7/29/2019

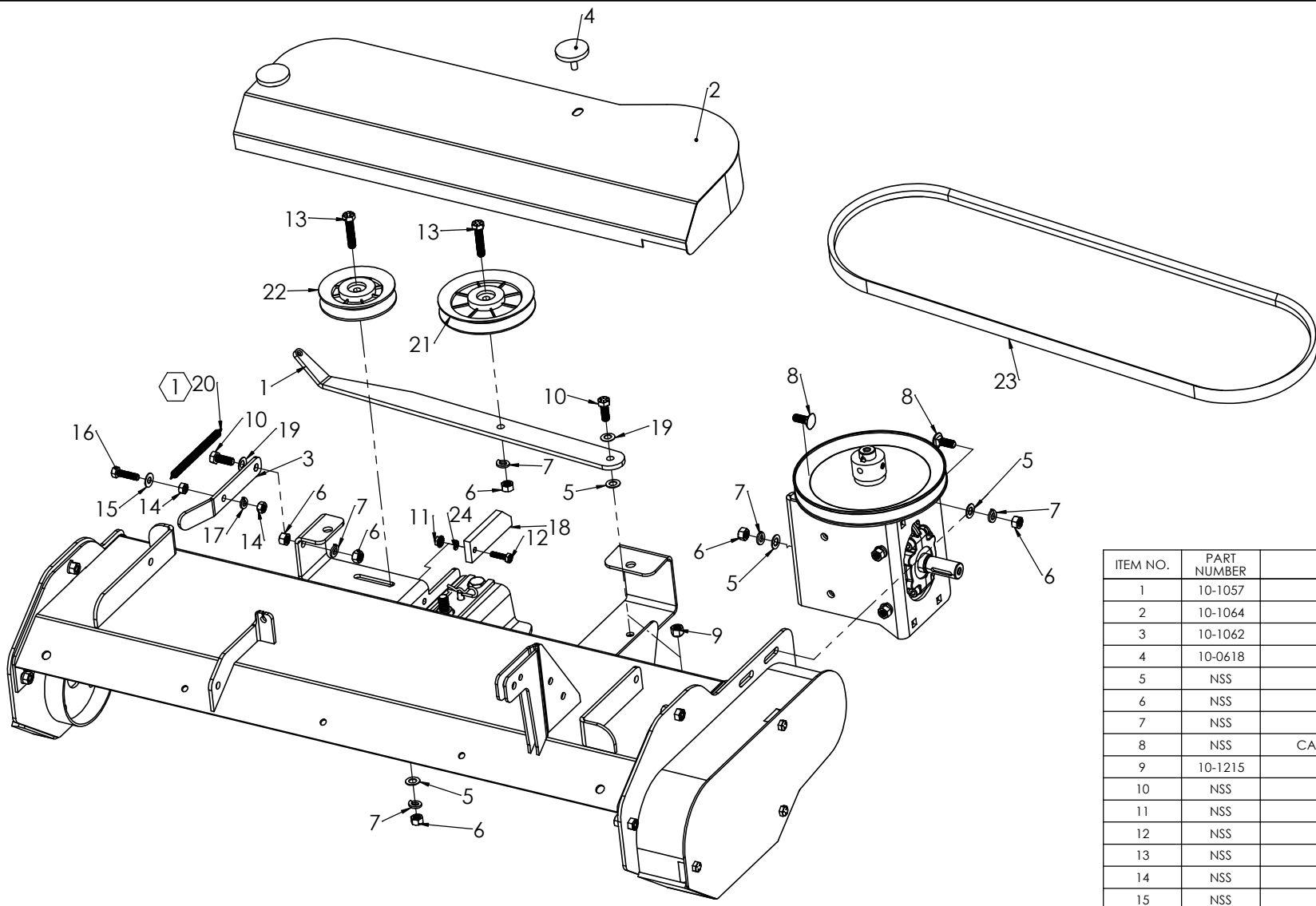
MODEL 1305

RAKE LATCH ASM

PAGE 7



ITEM NO.	PART NUMBER	DESCRIPTION	QTY.
1	10-1723	LATCH TRIGGERPLATE W.A.	1
2	10-1724	TRIGGER LEVER	1
3	NSS	1/4 X 3/4 X 10-24 SHOULDER BOLT	1
4	10-1735	COMPRESSION SPRING	1
5	NSS	10-24 LOCKNUT	1
6	NSS	1/4 WASHER	4
7	10-1719	POWER RAKE CABLE	1
8	10-1728	RED VINYL CAP	1
9	NSS	1/4-20 THUMB SCREW	1
10	NSS	1/4 EXTERNAL TOOTH LOCK WASHER	
TURF TEQ LLC		10-1729	8/5/2019
MODEL 1305		TRIGGER CABLE W/ LATCH	PAGE 8

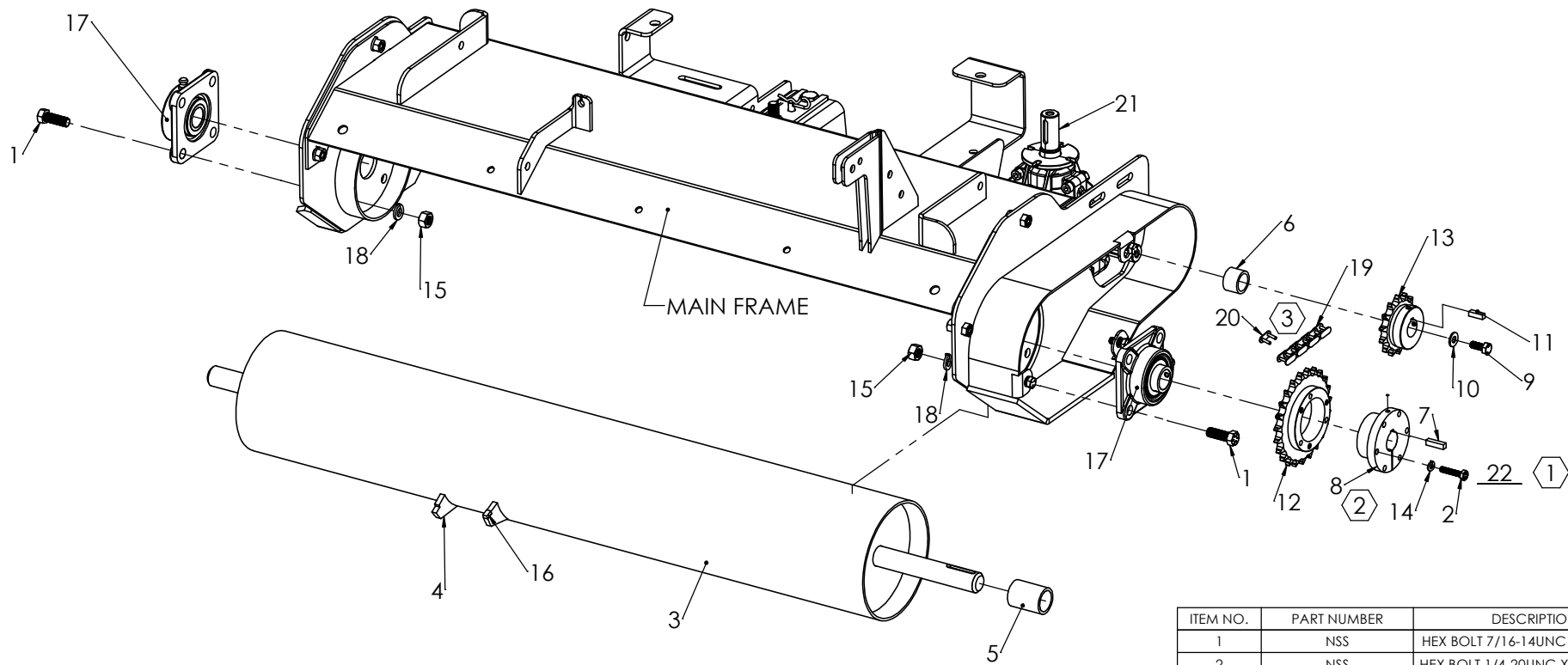


① TENSION BELT SO SPRING LENGTH IS
7-1/2" END TO END

ITEM NO.	PART NUMBER	DESCRIPTION	QTY.
1	10-1057	SPRING IDLER ARM	1
2	10-1064	DRIVE BELT SHIELD	1
3	10-1062	SPRING TENSION LEVER	1
4	10-0618	SHIELD KNOB	2
5	NSS	FLAT WASHER 3/8	6
6	NSS	NUT 3/8-16	8
7	NSS	LOCK WASHER 3/8	7
8	NSS	CARRIAGE BOLT 3/8-16UNC X 1	5
9	10-1215	LOCK NUT 3/8-16UNC	1
10	NSS	HEX BOLT 3/8-16 X 1-1/4	2
11	NSS	HEX NUT 1/4-20UNC	1
12	NSS	HEX BOLT 1/4 X 1	1
13	NSS	HEX BOLT 3/8-16 X 1-3/4	2
14	NSS	HEX NUT 5/16	2
15	NSS	USS FLAT WASHER 5/16	1
16	NSS	HEX BOLT 5/16-18UNC X 1-1/4	1
17	NSS	LOCK WASHER 5/16	1
18	10-1060	IDLER ARM SLIDE	1
19	10-1059	BELLEVILLE DISC SPRING 3/4 OD X .380 ID	2
20	10-1063	IDLER ARM SPRING	1
21	10-1058	IDLER PULLEY, FLAT 3/8 BORE X 5-1/4 OD	1
22	10-1061	IDLER PULLEY AB COMBO 3/8 BORE X 5 OD	1
23	10-1041	V-BELT, B76	1
24	NSS	1/4 LOCK WASER	1

NOTE: ALL HARWARE IS GRADE 5, PLATED AND COARSE THREAD UNLESS OTHERWISE SPECIFIED

TURF TEQ LLC	10-1100	8/6/2019
MODEL 1305	TOP DRIVE A	PAGE 9

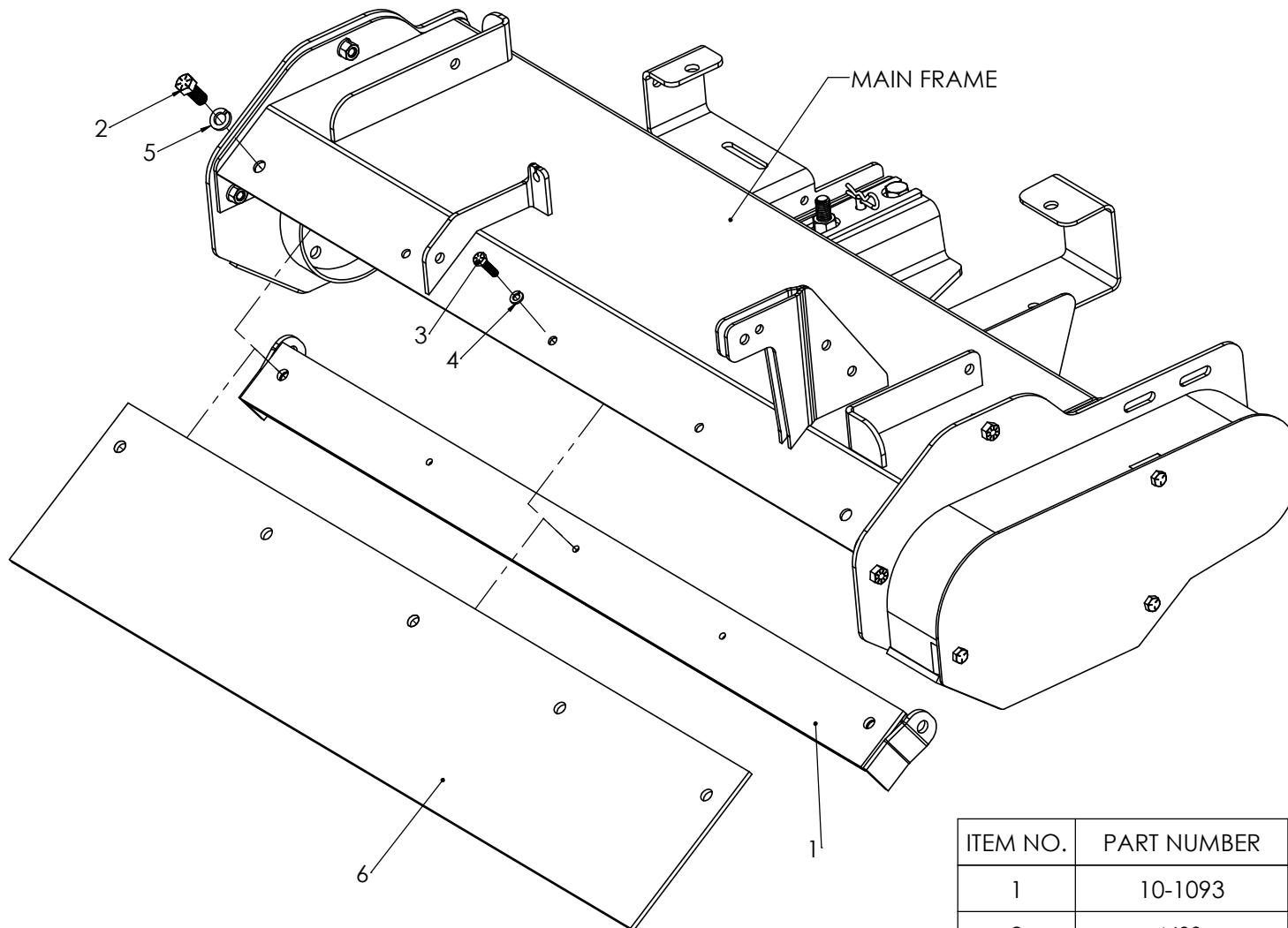


- ① ITEM 22: INCLUDES #2, #8, #12, #14
- ② ITEM 8: INCLUDES #2, #8, #14
- ③ ITEM 19: INCLUDES #20

ITEM NO.	PART NUMBER	DESCRIPTION	QTY.
1	NSS	HEX BOLT 7/16-14UNC 1-1/4 LONG	8
2	NSS	HEX BOLT 1/4-20UNC X 1-1/4 LONG	3
3	10-1070	ROTOR WITH CARBIDE TEETH	1
4	10-1073	ROTOR TOOTH AR 400	1
5	10-1075	SPACER BUSHING 1-3/8 X 5/32 X 3/4	1
6	10-1076	SPACER BUSHING 1-1/8 X 1/8 X 3/4	1
7	10-1074	KEY 1/4 SQ. X 1 LONG	1
8	10-1079	BUSHING QD	1
9	10-1082	HEX BOLT M8-1.25 X 20mm	1
10	10-1081	FLAT WASHER, SPROCKET KEEPER	1
11	10-1053	KEY 6mm SQ. X 20mm LONG	1
12	10-1078	DRIVEN SPROCKET #50 X 23 TEETH	1
13	10-1080	DRIVE SPROCKET #50 X 13 TEETH	1
14	NSS	LOCK WASHER 1/4	3
15	NSS	7/16 NUT	8
16	10-1072	CARBIDE TOOTH	1
17	10-1067	ROTOR BEARING A	2
18	NSS	LOCK WASHER 7/16	8
19	10-1042	DRIVE CHAIN #50	1
20	10-1083	MASTER LINK CHAIN #50	1
21	10-1052	GEARBOX A, 1018 RATIO 2.75 - 1	1
22	10-1077	SPROCKET A	1

NOTE: ALL HARDWARE IS GRADE 5, PLATED AND COARSE THREAD UNLESS OTHERWISE SPECIFIED

TURF TEQ LLC	10-1101	10/30/2019
MODEL 1305	ROTOR DRIVE	PAGE 10



ITEM NO.	PART NUMBER	DESCRIPTION	QTY.
1	10-1093	DUST SHIELD STRIKE BAR W.A.	1
2	NSS	HEX BOLT 7/16-UNC X 1 LG	2
3	NSS	HEX BOLT 1/4-20 X 1 LG	3
4	NSS	LOCK WASHER 1/4	3
5	NSS	LOCK WASHER 7/16	2
6	10-1092	DUST SHIELD	1

NOTE: ALL HARDWARE IS GRADE 5, PLATED AND COARSE THREAD UNLESS OTHERWISE SPECIFIED

TURF TEQ LLC	10-1103	7/29/2019
MODEL 1305	DUST SHIELD A	PAGE 11