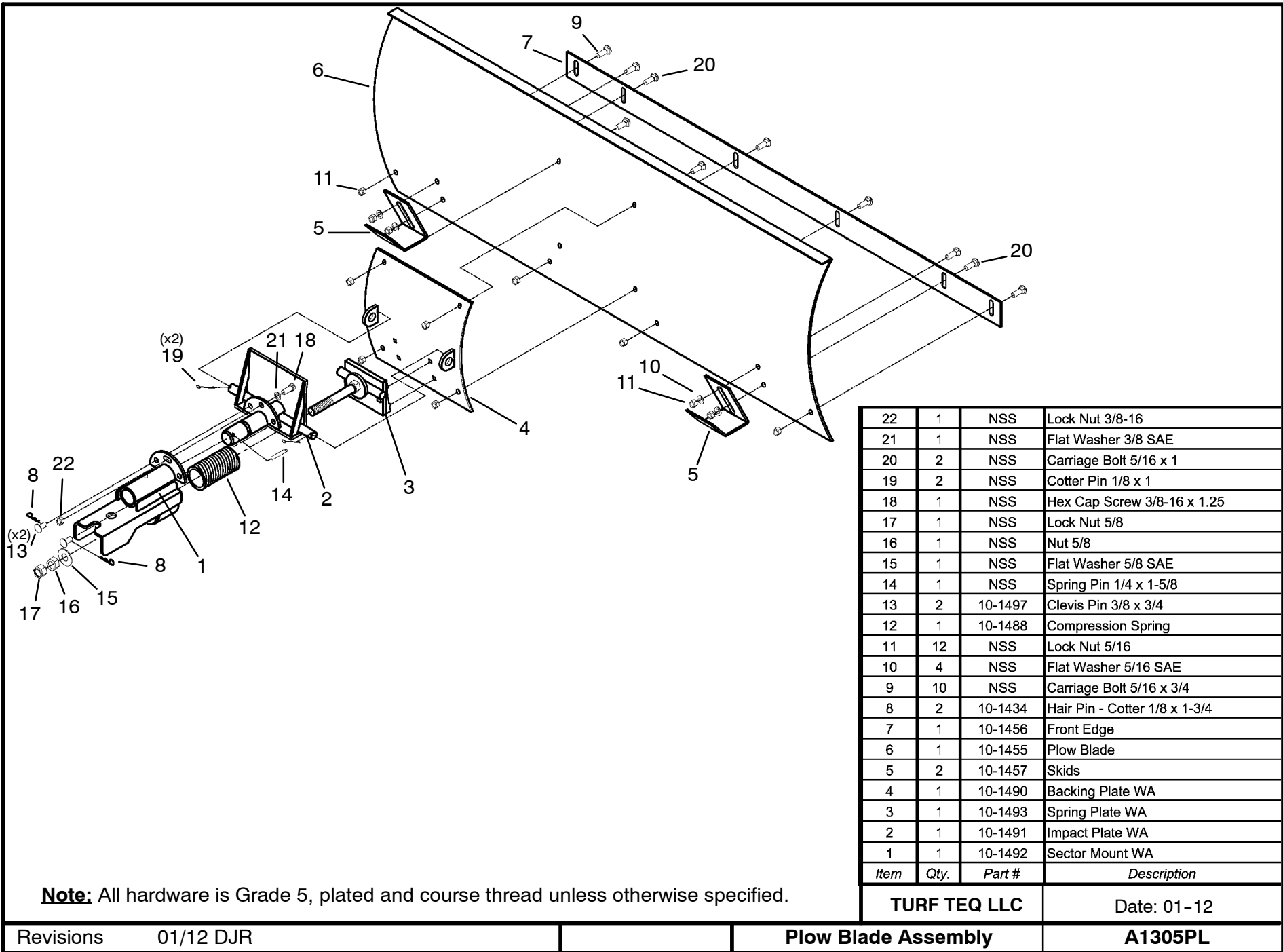




**PLOW
ATTACHMENT
PARTS CATALOG
MODEL A1305PL**

Contents

<u>Part Number</u>	<u>Description</u>	<u>Page Number</u>
A1305PL	Plow Blade Assembly	1



22	1	NSS	Lock Nut 3/8-16
21	1	NSS	Flat Washer 3/8 SAE
20	2	NSS	Carriage Bolt 5/16 x 1
19	2	NSS	Cotter Pin 1/8 x 1
18	1	NSS	Hex Cap Screw 3/8-16 x 1.25
17	1	NSS	Lock Nut 5/8
16	1	NSS	Nut 5/8
15	1	NSS	Flat Washer 5/8 SAE
14	1	NSS	Spring Pin 1/4 x 1-5/8
13	2	10-1497	Clevis Pin 3/8 x 3/4
12	1	10-1488	Compression Spring
11	12	NSS	Lock Nut 5/16
10	4	NSS	Flat Washer 5/16 SAE
9	10	NSS	Carriage Bolt 5/16 x 3/4
8	2	10-1434	Hair Pin - Cotter 1/8 x 1-3/4
7	1	10-1456	Front Edge
6	1	10-1455	Plow Blade
5	2	10-1457	Skids
4	1	10-1490	Backing Plate WA
3	1	10-1493	Spring Plate WA
2	1	10-1491	Impact Plate WA
1	1	10-1492	Sector Mount WA
<i>Item</i>	<i>Qty.</i>	<i>Part #</i>	<i>Description</i>

Note: All hardware is Grade 5, plated and course thread unless otherwise specified.

TURF TEQ LLC		Date: 01-12
Revisions	01/12 DJR	Plow Blade Assembly
		A1305PL

