



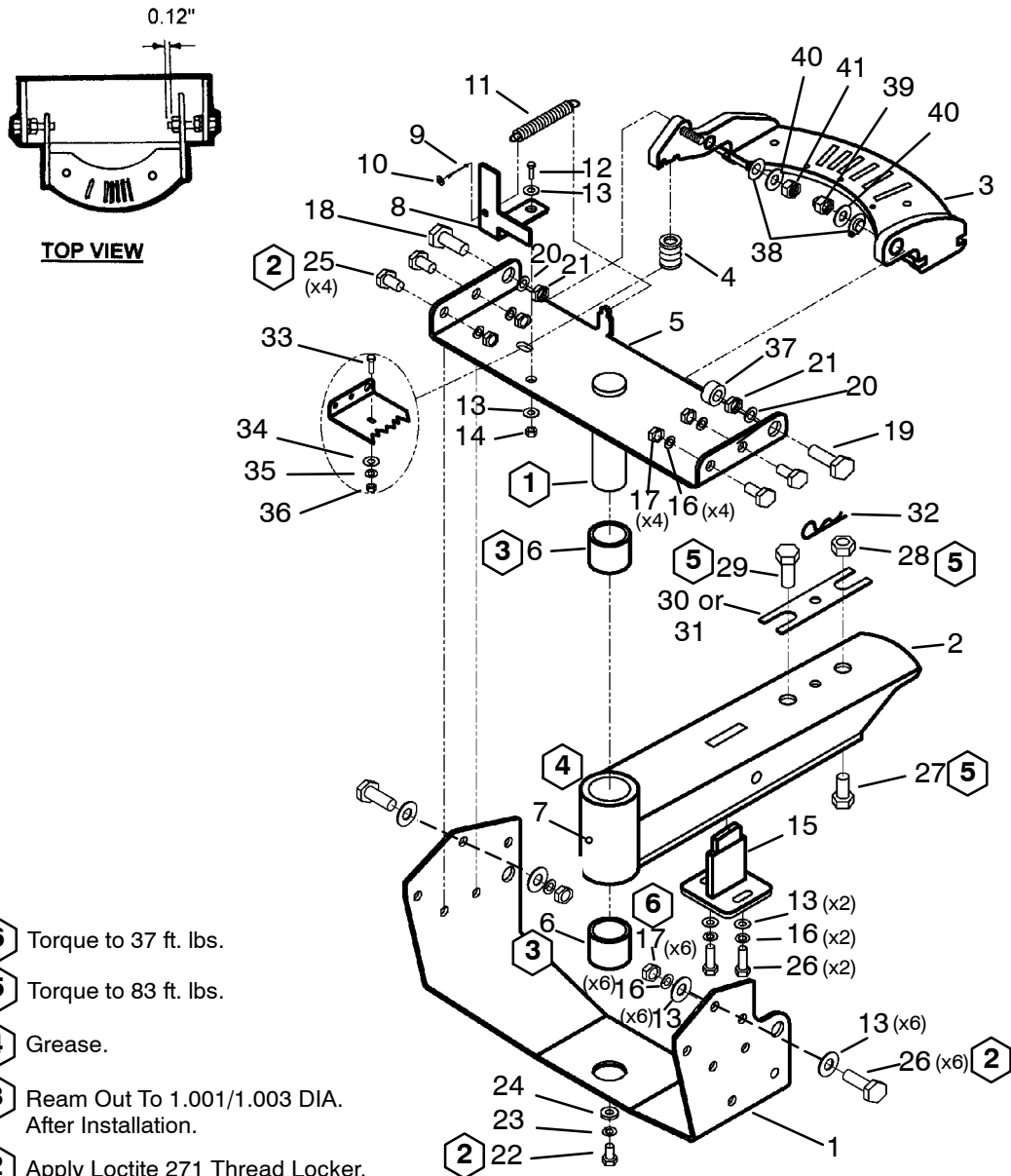
**MULTI USE TRACTOR
PARTS CATALOG
MODEL 1305**

SERIAL NUMBER 00301 AND ABOVE

**Turf Teq LLC
PC1305TR-02-0713**

Contents

<u>Part Number</u>	<u>Description</u>	<u>Page Number</u>
10-0665	Sector A	1
10-0667	Engine A	2
10-0682	Hydro Handle	3
10-0935	K62 Transmission A	4
10-0939	Tractor Frame/Trans A	5
10-0940	Tractor Controls A	6
	Tractor Only A	7
	Tractor with Diff-Loc A	8
K1305PB/10-0934	Park Brake Kit A (Optional Equipment)	9
K1305WL/10-0936	Wheel-Loc Kit A (Optional Equipment)	10
K1305DL/10-0937	Differential-Loc Kit A (Optional Equipment)	11
K1305LK/10-0938	Broom/Edger Lift Kit A	12



- 6** Torque to 37 ft. lbs.
- 5** Torque to 83 ft. lbs.
- 4** Grease.
- 3** Ream Out To 1.001/1.003 DIA. After Installation.
- 2** Apply Loctite 271 Thread Locker.
- 1** Apply Anti-Seize Lubricant.

41	1	NSS	1/2 Jam Nylock
40	2	10-1106	1/2 Machine Washer
39	1	NSS	1/2 Nylock
38	2	10-1430	Bushing
37	1	10-1454	Spacer
36	1	NSS	1/4 Nut
35	1	NSS	1/4 Lock Washer
34	1	NSS	1/4 Flat Washer
33	1	NSS	1/4 x 1/2 Hex Bolt
32	1	10-1434	Hair Pin - Cotter 1/8 x 1-3/4
31	1	10-1379	Sector Bolt H Plate for Broom
30	1	10-1378	Sector Bolt H Plate
29	1	10-1433	Bolt 1/2 (13) x 1-3/4 Smooth Flange
28	1	10-1432	Nut 1/2 (13) Smooth Flange
27	1	10-1431	Bolt 1/2 (13) x 1-1/2 Serrated Flange
26	8	NSS	5/16 x 1 Hex Bolt (GR.8)
25	4	NSS	5/16 x 3/4 Hex Bolt (GR.8)
24	1	BR-0132	Washer
23	1	NSS	3/8 Lock Washer
22	1	NSS	3/8 x 1 Hex Bolt
21	1	10-1204	1/2-13 Jam Nut
20	2	NSS	1/2 Lock Washer
19	1	10-1673	1/2-13 x 2.5 Tap Bolt
18	1	10-1205	1/2-13 x 2 Tap Bolt
17	10	NSS	5/16 Nut
16	14	NSS	5/16 Lock Washer
15	1	10-1410	Gunsight
14	1	10-1225	5/16-18 Lock Nut
13	24	10-1214	5/16 SAE Washer
12	1	NSS	5/16 x 3/4 Hex Bolt
11	1	10-1297	Extension Spring
10	1	NSS	Washer #10
9	1	10-1223	1/8 x 3/4 Cotter Pin
8	1	10-1266	Belt Support
7	1	10-0681	Lub Fitting 1/4
6	2	10-0104	Bronze Bushing (Pivot)
5	1	10-0216	Attachment Pin W/A
4	1	10-0450	Compression Spring
3	1	10-0554	Sector W/A
2	1	10-0108	Attachment Pivot Arm W/A
1	1	10-0217	Doublor W/A
<i>Item</i>	<i>Qty.</i>	<i>Part #</i>	<i>Description</i>

Note: All hardware is Grade 5, plated and course thread unless otherwise specified.

TURF TEQ LLC

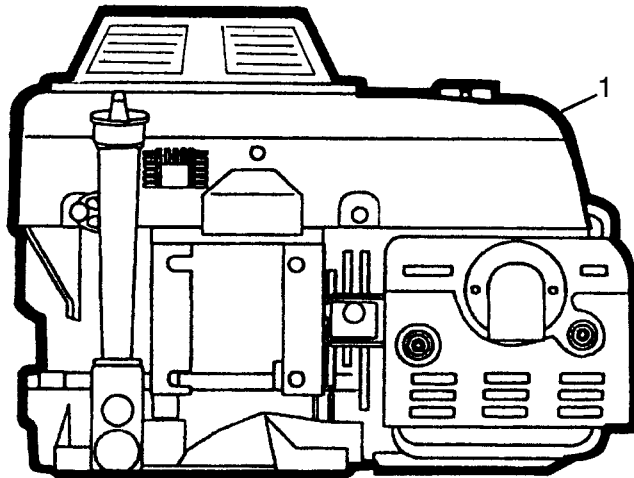
Date: 07-13

Revisions 07/13 JRD

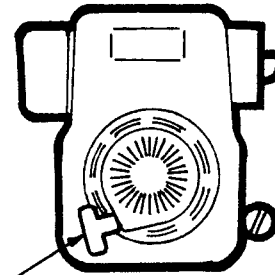
MODEL 1305

Sector A

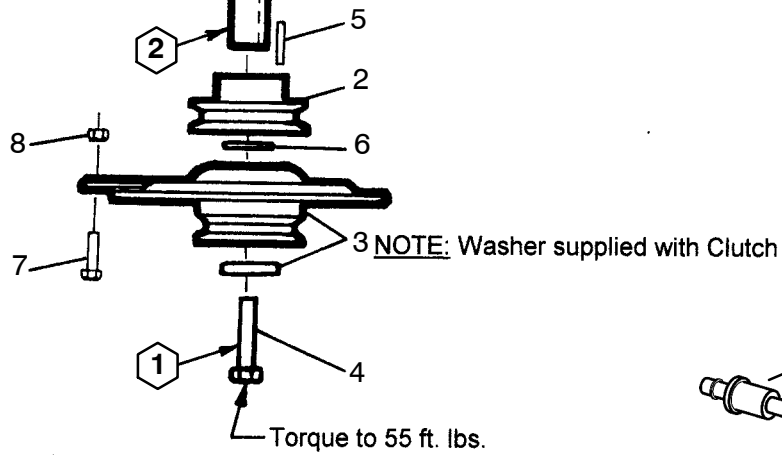
10-0665



TOP VIEW

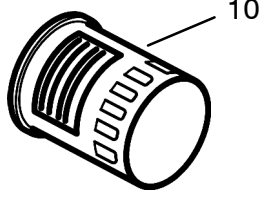
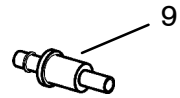


Recoil to be position at this location



NOTE: Washer supplied with Clutch

Torque to 55 ft. lbs.



- 2 Apply Anti-Seize Lubricant.
- 1 Apply Loctite 271 Threadlocker.

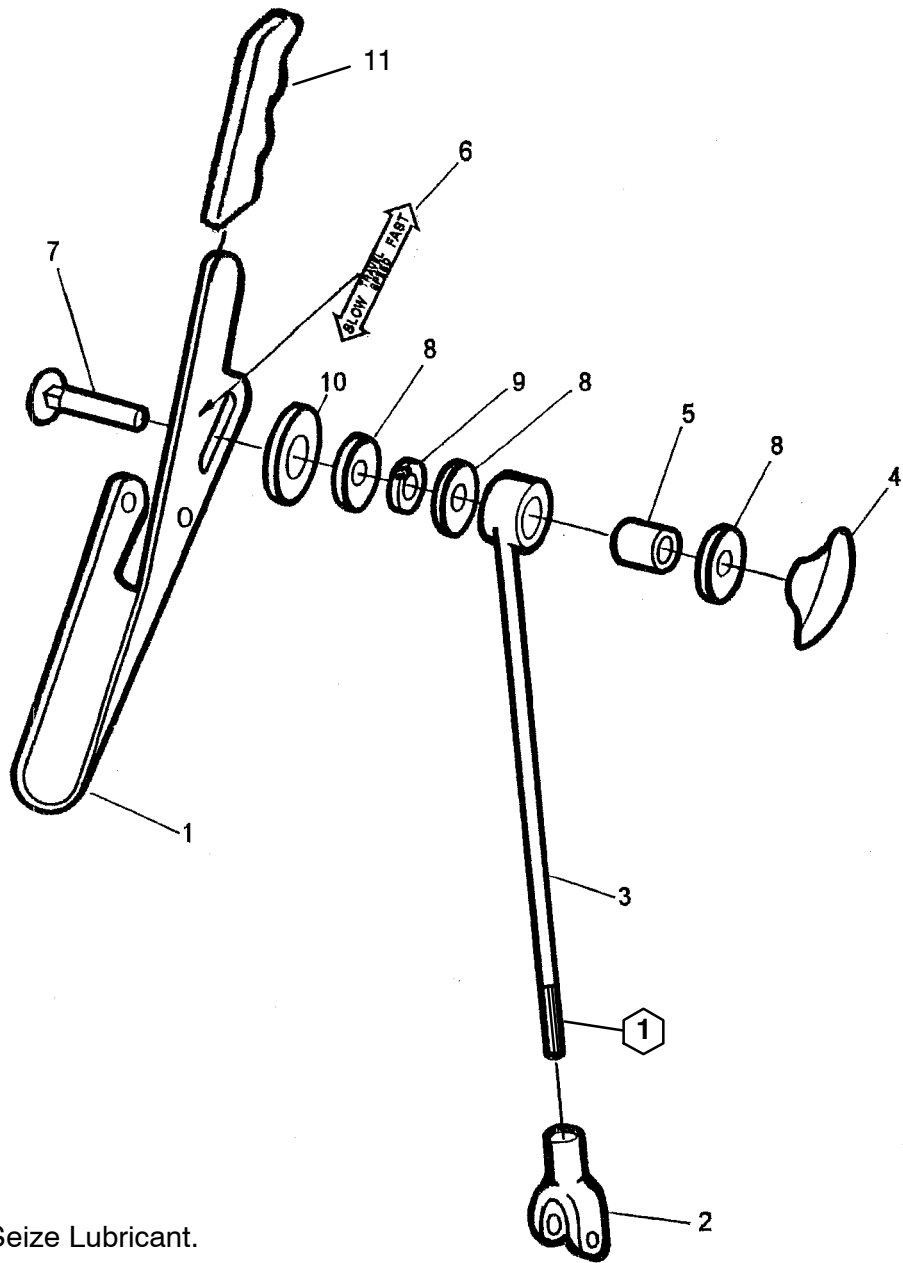
10	1	10-1274	Engine Oil Filter (Honda)
9	1	10-1175	Fuel Filter (Honda)
8	1	NSS	Nut 5/16
7	1	NSS	Hex Bolt 5/16 x 1.0
6	1	10-1110	Washer 1" Machine 1.03 x 1.5 x .07
5	1	10-1121	Keyway 1/4 x .75
4	1	10-1206	Bolt 7/16-20 x 2-1/2 Grade 8
3	1	10-0036	Noram Clutch
2	1	10-0112	Sheave 3" dia.
1	1	10-0394	Honda Engine GXV390DA23
<i>Item</i>	<i>Qty.</i>	<i>Part #</i>	<i>Description</i>

Note: All hardware is Grade 5, plated and course thread unless otherwise specified.

TURF TEQ LLC

Date: 12-09

Revisions	12/09 JRD	MODEL 1305	Engine A	10-0667
-----------	-----------	------------	----------	---------



① Apply Anti-Seize Lubricant.

Note: All hardware is Grade 5, plated and course thread unless otherwise specified.

11	1	10-0474	Flat Handle Grip
10	1	10-1107	Flat Washer 1/2 SAE
9	1	NSS	Lock Washer 3/8
8	3	10-1105	Flat Washer 5/16 USS
7	1	NSS	Carr. Bolt 3/8 x 2
6	1	10-0447	Decal - Travel Speed
5	1	10-0619	Spacer
4	1	10-0664	T-Knob
3	1	10-0881	Rod WA
2	1	10-0449	Yoke End
1	1	10-0254	Handle
Item	Qty.	Part #	Description

TURF TEQ LLC

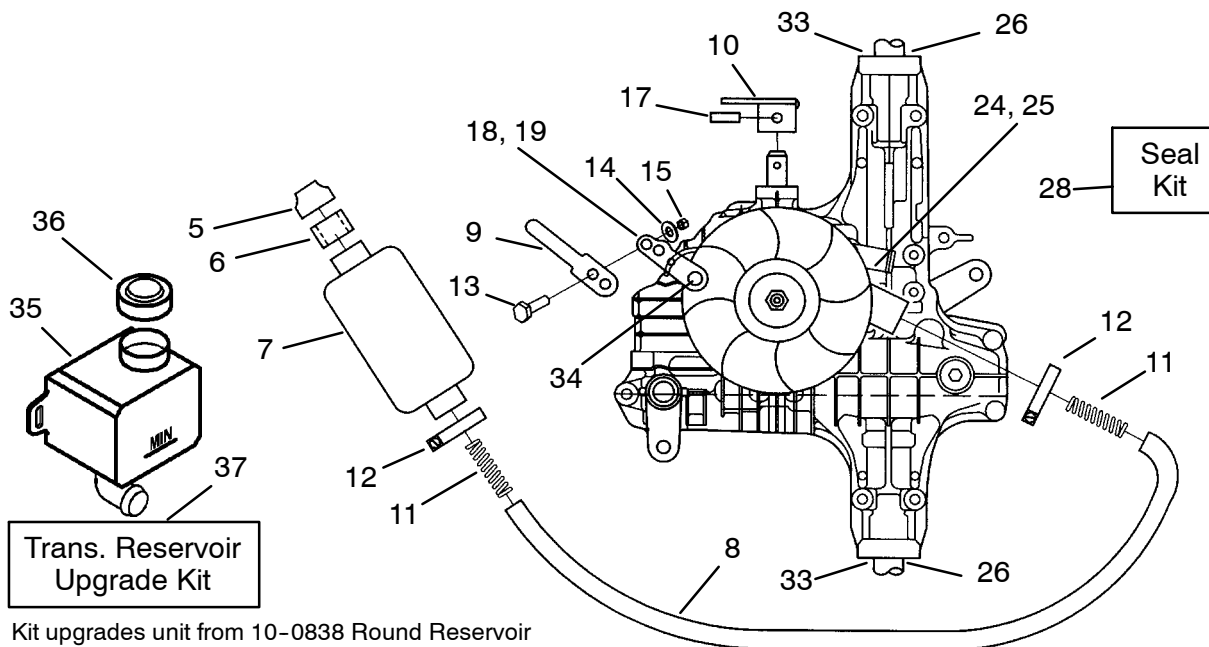
Date: 02-13

Revisions 02/13 JRD

MODEL 1305

Hydro Handle

10-0682

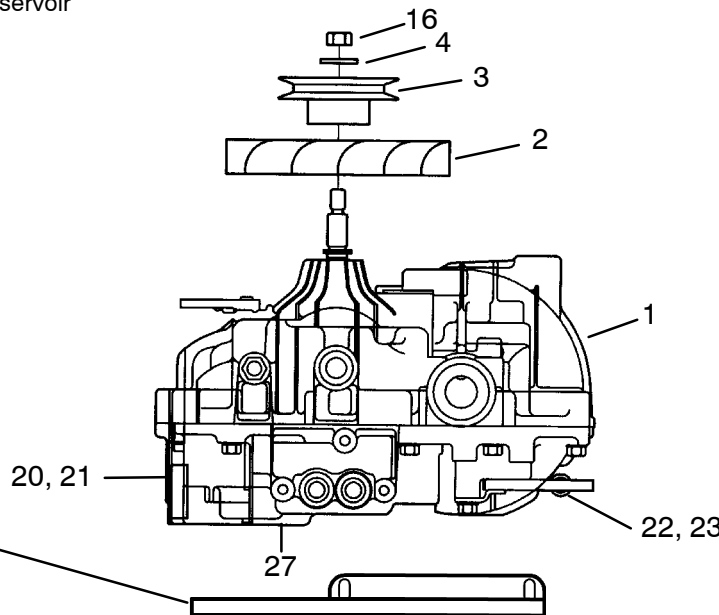
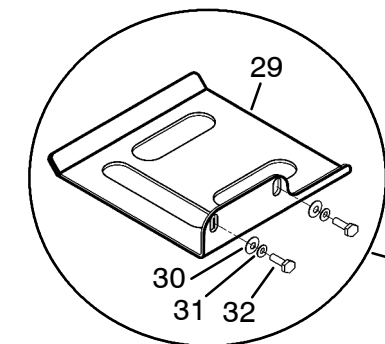


Trans. Reservoir Upgrade Kit

Kit upgrades unit from 10-0838 Round Reservoir (s/n: 01946 & below) to new Square Reservoir 10-1622 (s/n: 01947 & above)

Kit includes:

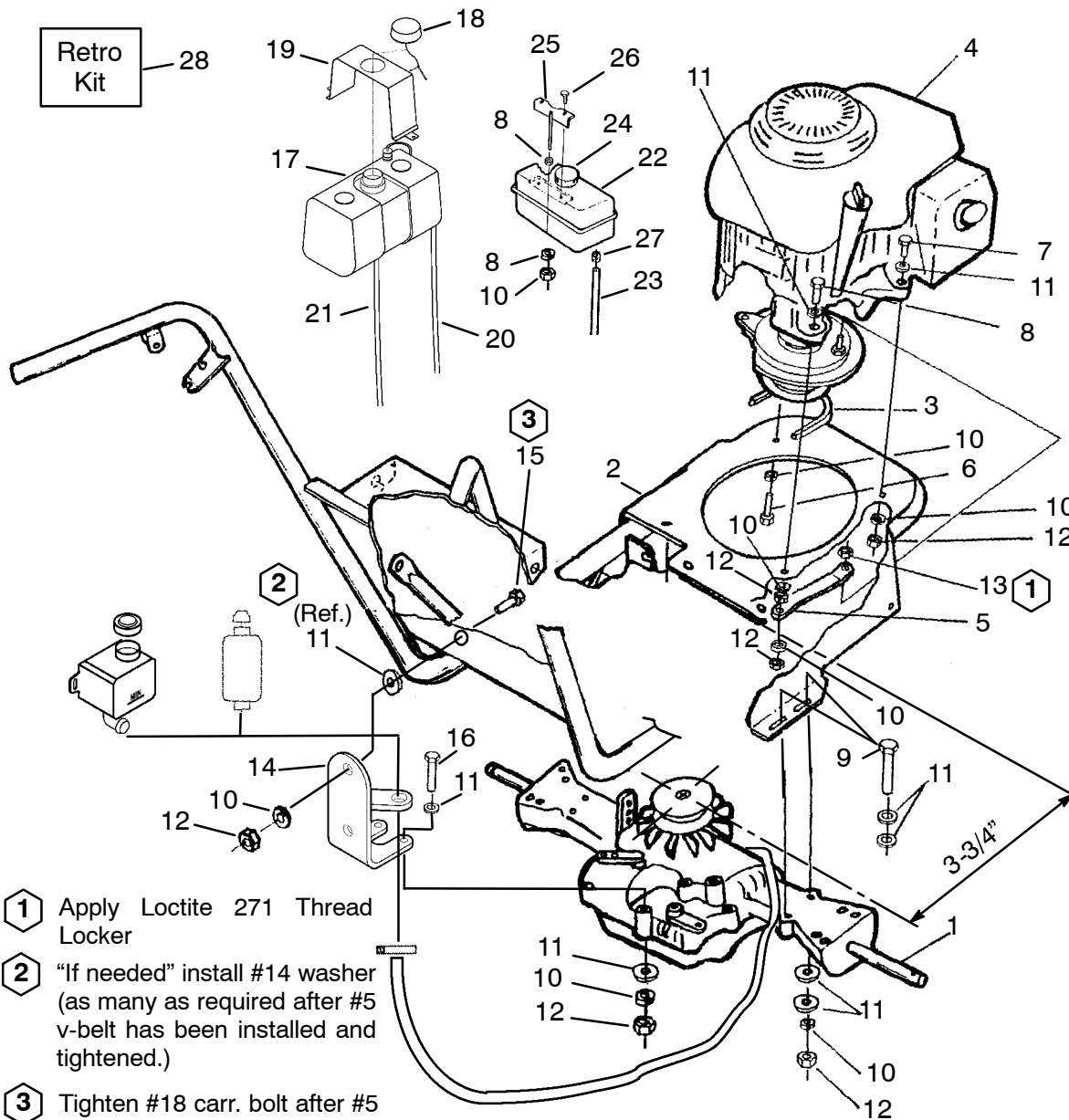
- 10-1622 - Square Reservoir
- 10-1623 - Cap
- 10-1630 - Trans. Mounting Bracket
- 10-0848 - Trans. Shield



Item	Qty.	Part #	Description
37	1	10-1675	Trans. Reservoir Upgrade Kit
36	1	10-1623	Transmission Reservoir Cap (rectangular bottle) used on s/n: 01947 & above
35	1	10-1622	Transmission Reservoir (rectangular) used on s/n: 01947 & above
34	1	10-1531	O-Ring - Hydro Release
33	2	10-1530	Axle Bushing
32	2	NSS	Bolt 5/16 x 3/4
31	2	NSS	Lock Washer 5/16
30	2	10-1214	Washer 5/16 SAE
29	1	10-1426	Trans. Skid Plate
28	1	10-1419	K62 Transmission Seal Kit
27	1	10-1418	K62 Transmission Lower Case
26	2	10-1414	Axle Seal - Model 1305 - K62 (1")
25	1	10-1256	Oil Inlet O-Ring
24	1	10-1255	Oil Inlet
23	2	10-1254	O-Ring - 2
22	1	10-1253	Differential Lock Lever
21	1	10-1252	O-Ring
20	1	10-1251	Drain Plug
19	1	10-1247	Hydro Release Spring Lock Retaining Pin
18	1	10-1245	Hydro Release Lever
17	1	10-1119	Metric Spring Pin 6m x 34m
16	1	10-1216	Lock Nut M10 x 1.5
15	1	NSS	Nut 1/4
14	1	NSS	Lock Washer 1/4
13	1	NSS	Hex Bolt 1/4 x 3/4
12	2	10-0859	Worm Gear Clamp - 3/4" Wide
11	2	10-1037	Spring 3/4 dia. x 5.62
10	1	10-0755	Trans Arm W/A
9	1	10-0824	Tow Valve Arm W/A
8	1	10-1038	Rubber Hose 1.06 x 19
7	1	10-0838	Transmission Reservoir Tank - 400 CC (round bottle) used on s/n: 01946 & below
6	1	10-0842	Transmission Reservoir Filter (round bottle) used on s/n: 01946 & below
5	1	10-0841	Transmission Reservoir Cap (round bottle) used on s/n: 01946 & below
4	1	BR-0132	Washer .4 x 1.5 x .40
3	1	10-0840	Pully - 3.125 dia
2	1	10-0839	Fan - 7"
1	1	10-0899	K62 Transmission

TURF TEQ LLC Date: 03-13

Revisions 03/13 JRD MODEL 1305 K62 Transmission A 10-0935



- ① Apply Loctite 271 Thread Locker
- ② "If needed" install #14 washer (as many as required after #5 v-belt has been installed and tightened.)
- ③ Tighten #18 carr. bolt after #5 v-belt has been installed and tightened.

Note: All hardware is Grade 5, plated and course thread unless otherwise specified.

28	1	10-1671	Retro Fit Kit to convert 1 gal. gas tank (s/n: 01903 & below) to 2.5 gal. gas tank (s/n: 01904 & above)
27	1	10-1230	1/2 Screw Type Hose Clamp
26	2	10-1229	Self Tapping Hex Screw 3/16 x 3/4
25	1	10-0395	1 Gallon Gas Tank Hold Down W/A s/n: 01903 & below
24	1	10-0729	1 Gallon Gas Cap s/n: 01903 & below
23	1	10-0452	Super Flex Fuel Line - 30" for 1 gallon tank s/n: 01903 & below
22	1	10-0264	1 Gallon Gas Tank s/n: 01903 & below
21	1	10-1618	Fuel Line - Supply - 19" s/n: 01904 & above
20	1	10-1619	Fuel Line - Emissions - 48" s/n: 01904 & above
19	1	10-1624	2.5 Gallon Gas Tank Strap s/n: 01904 & above
18	1	10-1617	2.5 Gallon Gas Cap s/n: 01904 & above
17	1	10-1616	2.5 Gallon Gas Tank s/n: 01904 & above
16	2	NSS	Hex Bolt 5/16 x 2-1/4
15	1	NSS	Carriage Bolt 5/16 x 1
14	1	10-1630	Rear Trans. Support Bracket (rectangular reservoir bottle) used on s/n: 01947 & above
14	1	10-0818	Rear Trans. Support Bracket (round reservoir bottle) used on s/n: 01946 & below
13	1	10-1225	Lock Nut 5/16-18
12	13	NSS	Nut 5/16
11	28	10-1214	Washer 5/16 SAE
10	12	NSS	Lock Washer 5/16
9	4	NSS	Hex Bolt 5/16 x 3
8	1	NSS	Hex Bolt 5/16 x 2
7	1	NSS	Hex Bolt 5/16 x 1-1/2
6	2	10-1226	Bolt 5/6-24 x 3/4
5	1	10-1399	Clutch Link - If using Clutch Cable 10-1270 With a Spring
5	1	10-0247	Clutch Link - If NOT using Clutch Cable 10-1270 With a Spring
4	1	10-0667	Engine A
3	1	10-0902	V-Belt
2	1	10-1670	Main Frame Handle Bar W/A-2.5 gallon gas tank (s/n: 01904 & above)
2	1	10-0191	Main Frame Handle Bar W/A-1 gallon gas tank (s/n: 01903 & below)
1	1	10-0935	K62 Transmission A

Item	Qty.	Part #	Description
------	------	--------	-------------

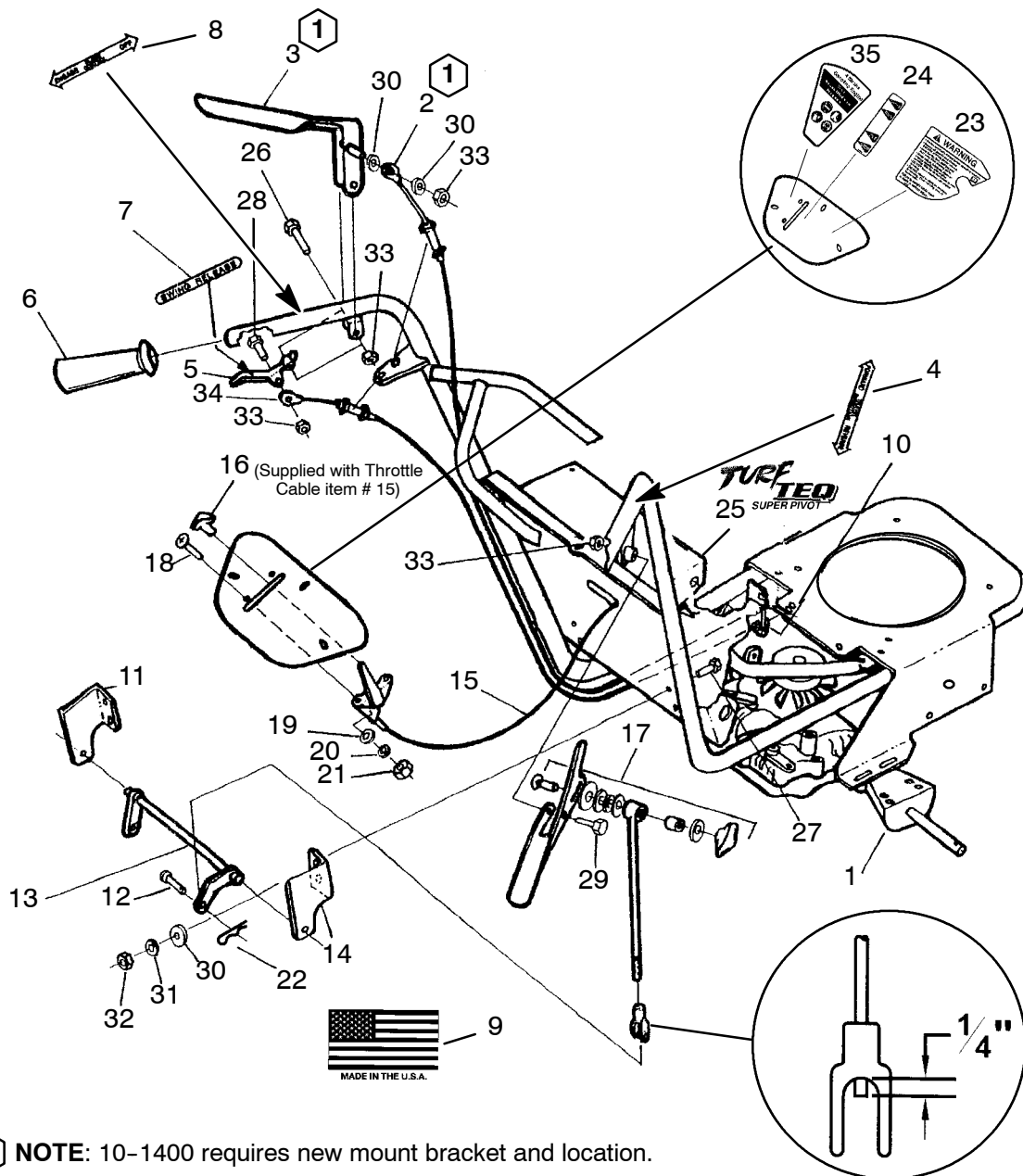
TURF TEQ LLC			Date: 02-13
--------------	--	--	-------------

Revisions 02/13 JRD

MODEL 1305

Tractor Frame/Trans A

10-0939



1 NOTE: 10-1400 requires new mount bracket and location.

Note: All hardware is Grade 5, plated and course thread unless otherwise specified.

35	1	10-1415	Gasoline/PPE - Decal
34	1	10-1271	Tension Cable
33	4	10-1225	Lock Nut 5/16-18
32	6	NSS	Nut 5/16
31	4	NSS	Lock Washer 5/16
30	8	10-1214	Washer 5/16 SAE
29	1	NSS	Hex Bolt 5/16 x 1-3/4
28	1	NSS	Hex Bolt 5/16 x 1-1/4
27	4	NSS	Carr. Bolt 5/16 x 3/4
26	1	NSS	Hex Bolt 5/16 x 2
25	1	10-1185	Turf Teq Super Pivot Decal
24	1	10-0441	Decal - Choke/Run
23	1	10-0439	Decal - Operating Warning
22	1	10-1434	Hairpin Cotter 1/8 x 1-3/4
21	2	NSS	Nut #10
20	2	NSS	Lock Washer #10
19	2	NSS	Washer #10 SAE .21 x .5 x .04
18	2	NSS	Pan Head Machine Screw #10 x 3/4
17	1	10-0682	Hydro Handle Assembly
16	1	10-1227	Throttle Cable T-Handle
15	1	10-0135	Lever Control
14	1	10-0340	Hydro Pivot Bracket - RH
13	1	10-0855	Hydro Shaft W/A
12	1	10-0615	Clevis Pin - 5/16 x 1
11	1	10-0339	Hydro Pivot Bracket - LH
10	2	10-1111	E-clip (1/4 shaft)
9	1	10-1376	Decal - ("Made in the USA")
8	1	10-0446	Decal - Blade Control
7	1	10-0444	Decal - Swing Release
6	2	10-0190	1" Handle Grip
5	1	10-0253	Trigger W/A
4	1	10-0448	Decal - Travel Direction
3	1	10-1400	Clutch Handle W/A - If using Clutch Cable 10-1270 With a Spring
3	1	10-0257	Clutch Handle W/A - If NOT using Clutch Cable 10-1270 With a Spring
2	1	10-1270	Clutch Cable With Spring - If You Are Using Clutch Handle 10-1400
2	1	10-1271	Tension Cable - If NOT using Clutch Cable 10-1270 With a Spring
1	1	10-0939	Tractor Frame/Trans. A
Item	Qty.	Part #	Description

TURF TEQ LLC

Date: 02-13

Revisions 02/13JRD


MODEL 1305

Tractor Controls A

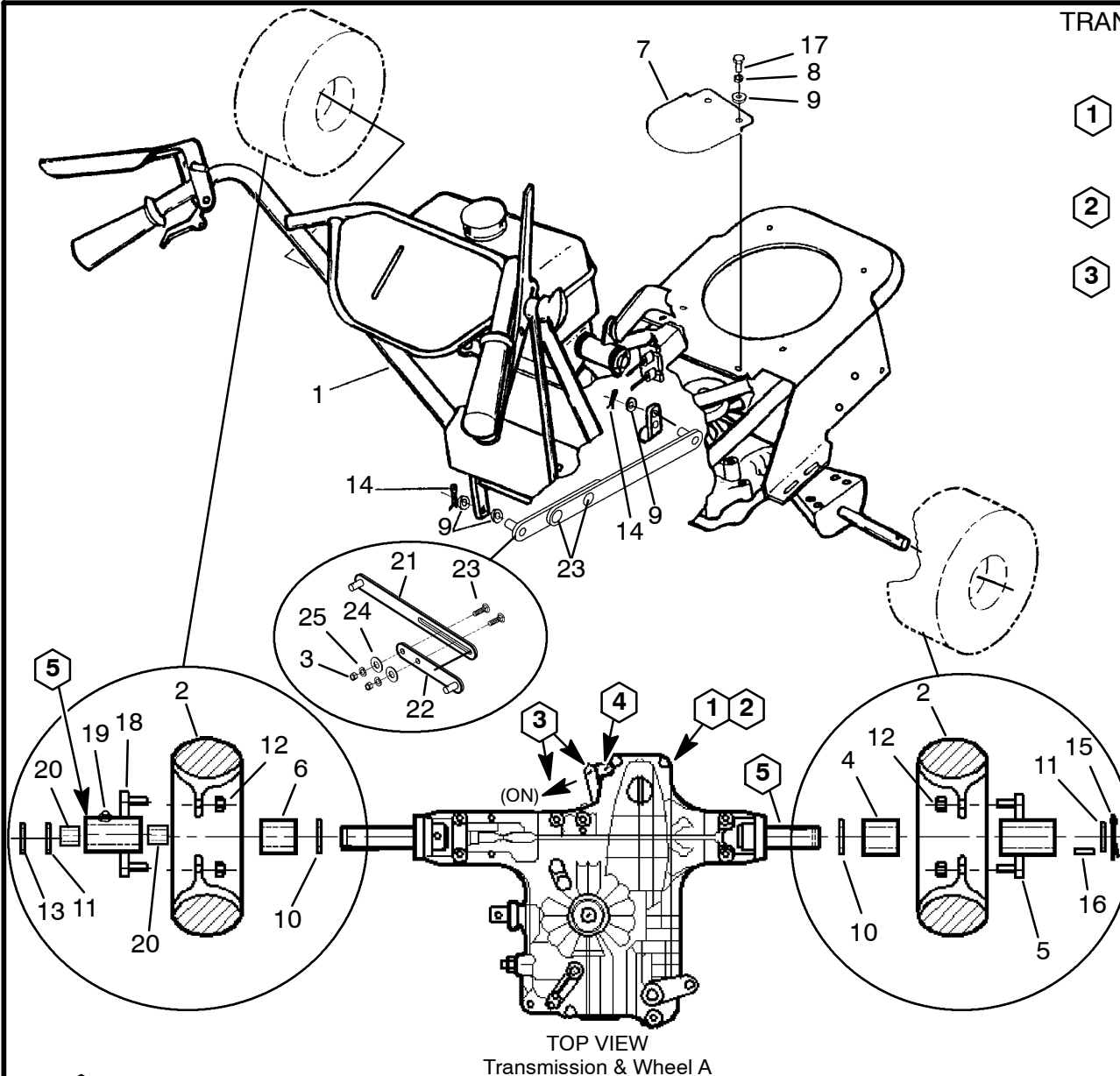
10-0940

TRANSMISSION CONFIGURATION FOR 1305SP,
1305SP1 & 1305SP2 POWER EDGER

DIFF-LOC ARM POSITIONING

- 1 Remove spring & spring mounting bracket from transmission. Reinstall hardware with a additional 5/16 washer.
- 2 Bend spring mounting bracket from 90° to 108°. 
- 3 Pivot diff-loc control arm completely out (as shown) then reinstall spring mounting bracket at position 4 to hold diff-loc arm out in the "ON" position.

NOTE: Transmission axle may have to rotate a little for diff-loc to snap into the on position.



5 Apply Anti-Seize Lubricant.

Notes: Does Not Include Diff-Loc or Wheel-Loc Kits. All hardware is Grade 5, plated and course thread unless otherwise specified.

25	2	NSS	1/4 Lock Washer
24	2	NSS	1/4 Flat Washer
23	2	NSS	1/4 x 3/4 Carriage Bolt
22	1	10-1407	Clamp Bar W/A
21	1	10-1406	Slide Adjustment Bar W/A
20	2	10-0104	Bronze Bushing
19	1	10-1120	Grease Fitting
18	1	10-1097	Wheel Hub (Bushing)
17	2	NSS	Hex Bolt 5/16 x 3/4
16	2	10-1116	Key 1/4 x 1.25
15	1	10-1222	1/8 x 1-3/4 Cotter Pin
14	2	10-1210	3/32 x 3/4 Cotter Pin
13	1	10-1113	E-Clip
12	8	10-1219	1/2-20 Lug Nut
11	2	10-1110	Washer 1 Machine
10	2	10-1217	1" SAE Washer
9	5	10-1214	5/16 SAE Washer
8	2	NSS	Lock Washer 5/16
7	1	10-0848	Trans Shield
6	1	10-0892	Spacer (2.75 Length)
5	1	10-0847	Wheel Hub
4	1	10-0875	Spacer
3	2	NSS	1/4 Nut
2	2	10-0846	Tire & Rim A
1	1	10-0940	Tractor Controls A
Item	Qty.	Part #	Description

TURF TEQ LLC

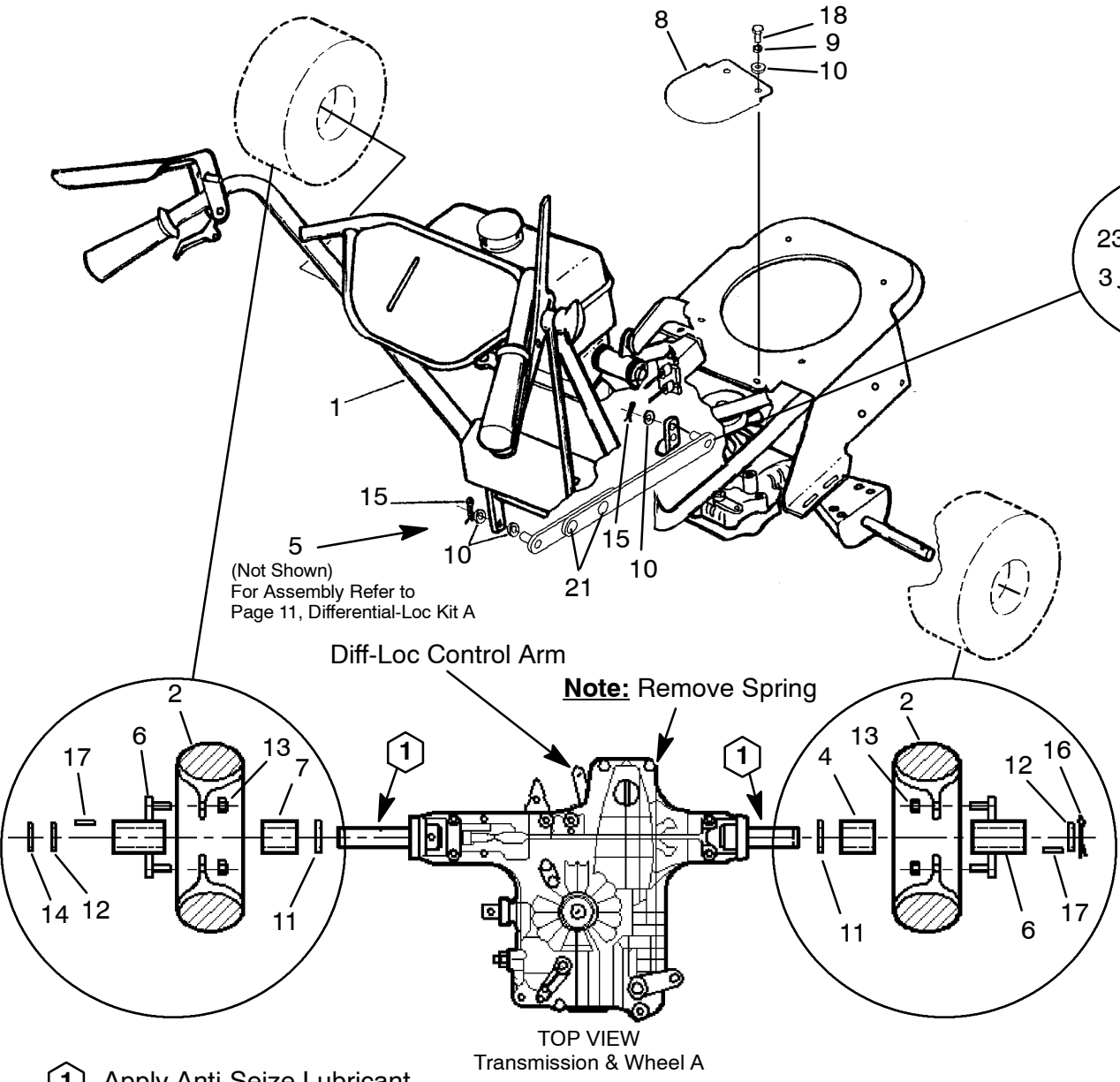
Date: 02-13

Revisions 02/13 JRD

MODEL 1305

Tractor Only A

TRANSMISSION CONFIGURATION FOR
 1305BR & 1305BR1 POWER BROOMS,
 1305PR & 1305PR1 POWER RAKES &
 1305BC BRUSH CUTTER
 1305PL PLOW



(Not Shown)
 For Assembly Refer to
 Page 11, Differential-Loc Kit A

Diff-Loc Control Arm
Note: Remove Spring

TOP VIEW
 Transmission & Wheel A

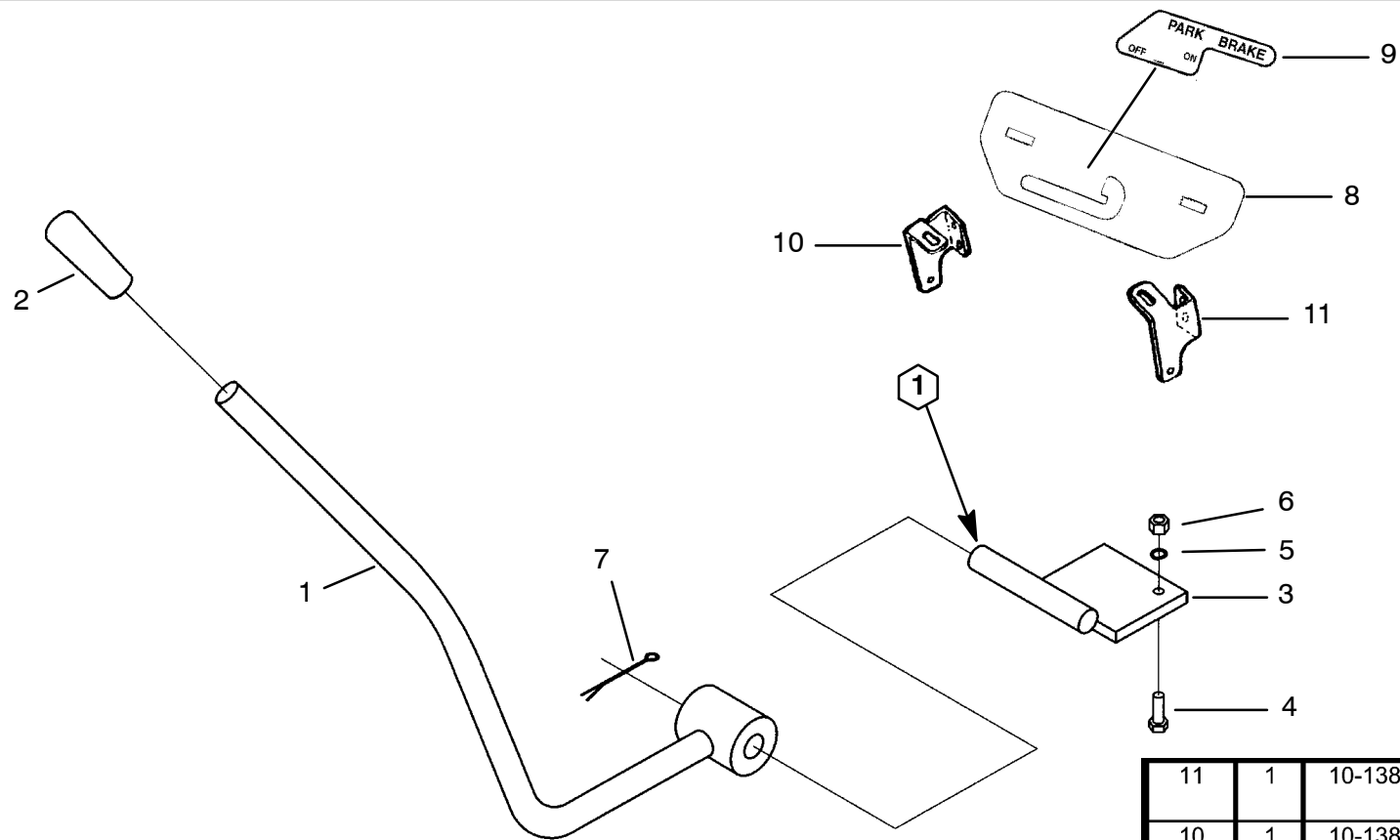
1 Apply Anti-Seize Lubricant.

Notes: Includes Diff-Loc Kit. Does Not Include Wheel-Loc Kit.
 All hardware is Grade 5, plated and course thread unless otherwise specified.

23	2	NSS	1/4 Lock Washer
22	2	NSS	1/4 Flat Washer
21	2	NSS	1/4 x 3/4 Carriage Bolt
20	1	10-1407	Clamp Bar W/A
19	1	10-1406	Slide Adjustment Bar W/A
18	2	NSS	Hex Bolt 5/16 x 3/4
17	2	10-1116	Key 1/4 x 1.25
16	1	10-1222	1/8 x 1-3/4 Cotter Pin
15	2	10-1210	3/32 x 3/4 Cotter Pin
14	1	10-1113	E-Clip
13	8	10-1219	1/2-20 Lug Nut
12	2	10-1110	Washer 1 Machine
11	2	10-1217	1" SAE Washer
10	5	10-1214	5/16 SAE Washer
9	2	NSS	Lock Washer 5/16
8	1	10-0848	Trans Shield
7	1	10-0892	Spacer (2.75 Length)
6	2	10-0847	Wheel Hub
5	1	10-0937	K1305DL Diff-Loc Kit
4	1	10-0875	Spacer
3	2	NSS	1/4 Nut
2	2	10-0846	Tire & Rim A
1	1	10-0940	Tractor Controls A
Item	Qty.	Part #	Description

TURF TEQ LLC Date: 02-13

Revisions	02/13 JRD	MODEL 1305	Tractor with Diff-Loc A
-----------	-----------	------------	-------------------------



Optional Equipment

1 Apply Anti-Seize Lubricant.

Note: All hardware is Grade 5, plated and course thread unless otherwise specified.

11	1	10-1386	RH Hydro Pivot Bracket (For Park Brake Kit)
10	1	10-1385	LH Hydro Pivot Bracket (For Park Brake Kit)
9	1	10-0888	Decal - Park Brake
8	1	10-0803	Park Brake Plate
7	1	10-1210	3/32 x 3/4 Cotter Pin
6	1	NSS	Nut 3/8
5	1	NSS	Lock Washer 3/8
4	1	NSS	Hex Bolt 3/8 x 1
3	1	10-0760	Park Brake Base W/A
2	1	10-0332	Handle Grip
1	1	10-0758	Park Brake Handle W/A
Item	Qty.	Part #	Description

TURF TEQ LLC

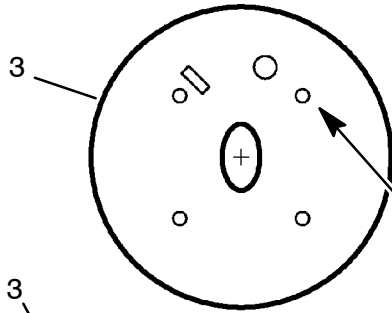
Date: 09-09

Revisions 9/09 JRD

MODEL 1305

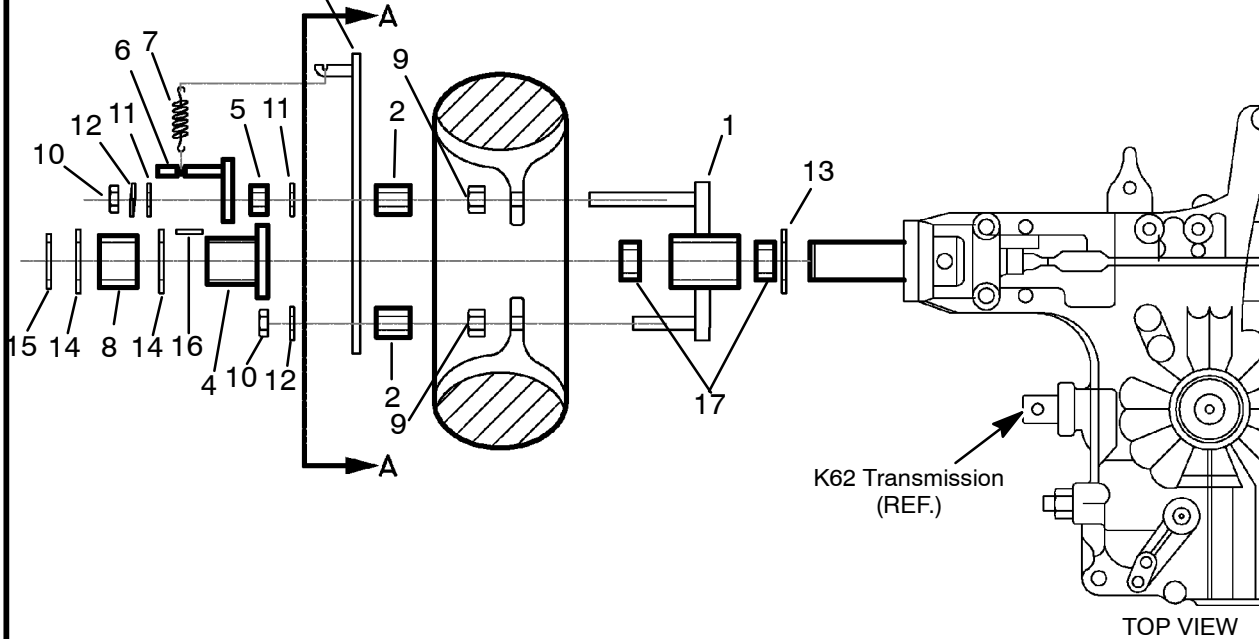
Park Brake Kit A

K1305PB/10-0934



VIEW A-A

NOTE: The longest threaded rod on Item #1 Wheel-Loc Hub, goes through this hole on Item #3 Plate WA.



Optional Equipment

17	2	10-0104	Bushing 1 x 1.25 x 1
16	1	10-1116	Key 1/4 x 1.25
15	1	10-1113	E-Clip 1"
14	2	10-1110	Washer 1" Machine 1 x 1.5 x .07
13	1	10-1217	Washer 1 SAE
12	4	NSS	Lock Washer 1/2
11	2	10-1106	Washer 1/2 Machine 1/2 x 7/8 x .07
10	4	10-1218	Jam Nut 1/2" Fine Thread
9	4	10-1219	Lug Nut 1/2" Fine Thread
8	1	10-0875	Spacer
7	1	10-1297	Spring C-137
6	1	10-0879	Engagement WA
5	1	10-0843	Spacer
4	1	10-0871	Wheel Engagement Hub WA
3	1	10-0921	Plate WA
2	4	10-0876	Spacer
1	1	10-0874	Wheel-Loc Hub
<i>Item</i>	<i>Qty.</i>	<i>Part #</i>	<i>Description</i>

Note: All hardware is Grade 5, plated and course thread unless otherwise specified.

TURF TEQ LLC

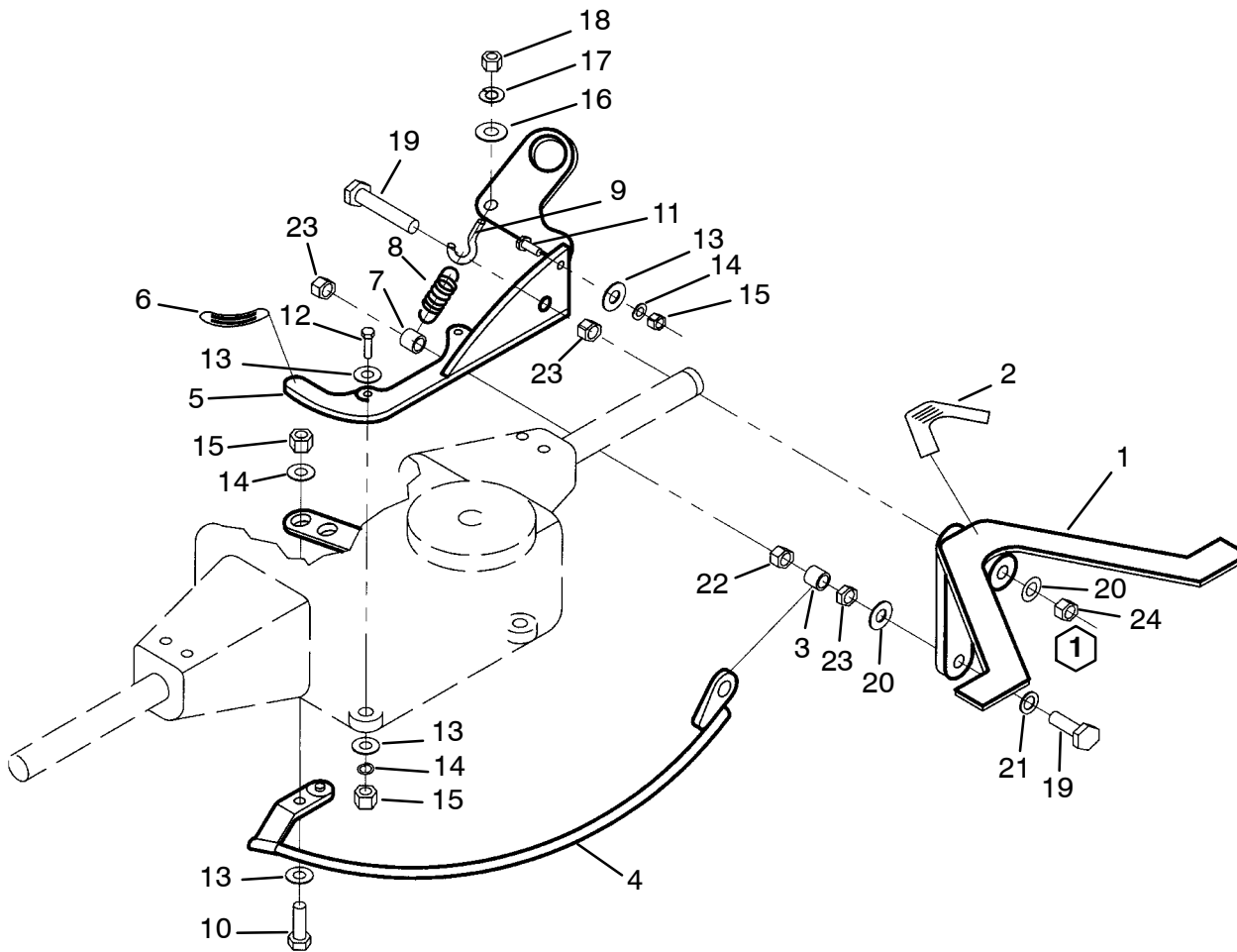
Date: 07-13

Revisions 07/13 JRD

MODEL 1305

Wheel-Loc Kit A

K1305WL/10-0936



Note: Items 5, 6, 11, 12, 13, 14, and 15 are standard on all machines and are not part of the optional kit.

24	1	10-1220	Lock Nut 1/2
23	3	10-1204	Jam Nut 1/2
22	1	NSS	Nut 1/2
21	1	NSS	Lock Washer 1/2
20	2	10-1106	Washer 1/2 Machine 1/2 x 7/8 x .07
19	2	NSS	Hex Tab Bolt 1/2 x 3
18	1	NSS	Nut 3/8
17	1	NSS	Lock Washer 3/8
16	1	10-1221	Washer 3/8 SAE
15	4	NSS	Nut 5/16
14	5	NSS	Lock Washer 5/16
13	5	10-1214	Washer 5/16 SAE
12	2	NSS	Hex Bolt 5/16 x 2.25
11	1	NSS	Carr Bolt 5/16 x 1
10	1	NSS	Hex Bolt 5/16 x 1
9	1	10-0757	Eyebolt 3/8 x 4
8	1	10-0756	Spring
7	1	10-0843	Spacer
6	1	10-0884	Decal
5	1	10-1630	Rear Trans. Support Bracket (rectangular reservior bottle) used on s/n: 01947 & above
5	1	10-0818	Rear Trans. Support Bracket (round reservior bottle) used on s/n: 01946 & below
4	1	10-0867	Arm WA
3	1	10-0883	Bushing
2	1	10-0885	Decal
1	1	10-0817	Arm WA
<i>Item</i>	<i>Qty.</i>	<i>Part #</i>	<i>Description</i>

1 Install nut so there is 1/16" gap between 20 and 24.

Optional Equipment

Note: All hardware is Grade 5, plated and course thread unless otherwise specified.

TURF TEQ LLC

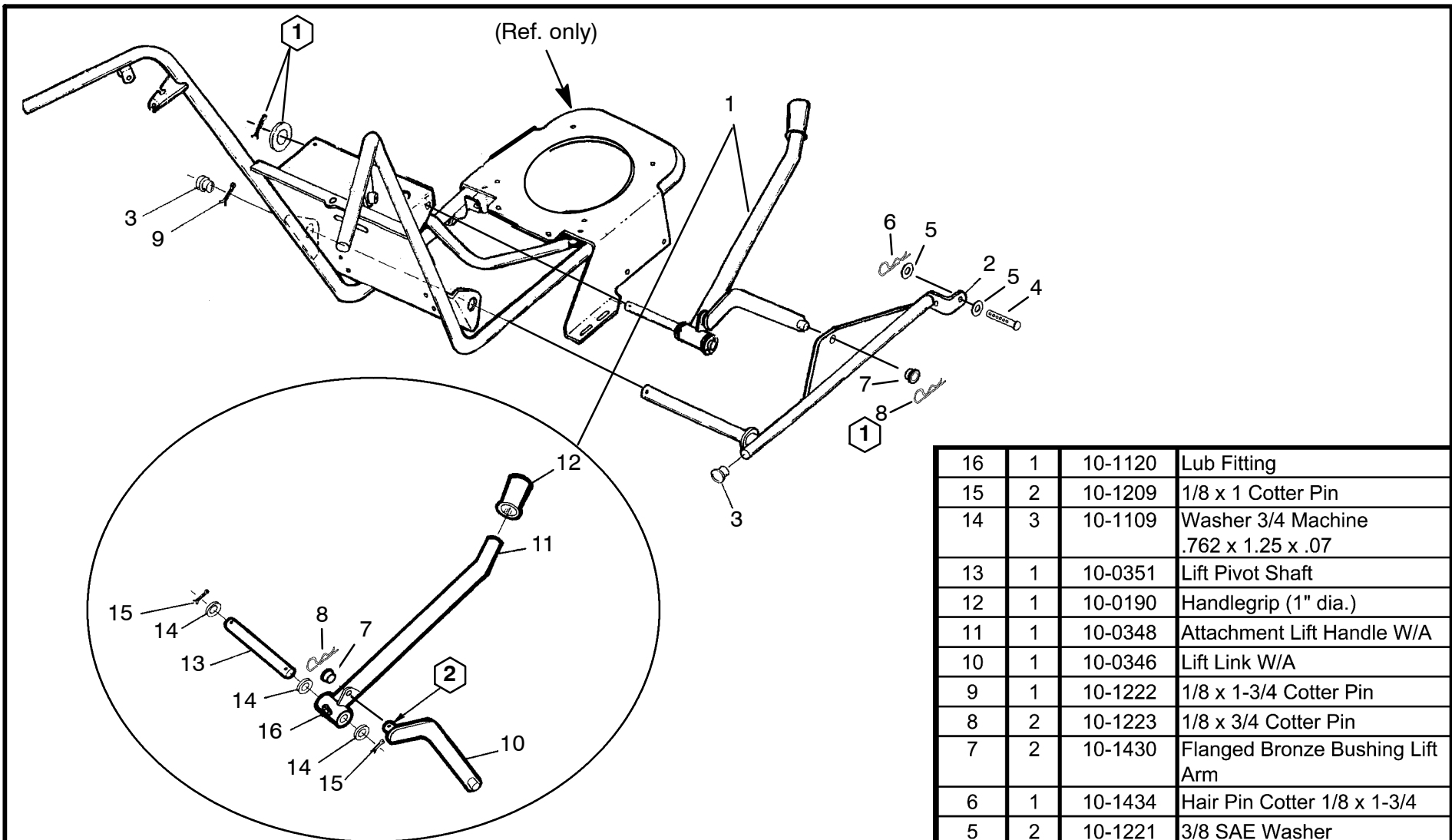
Date:02-13

Revisions 02/13 JRD

MODEL 1305

Differential-Loc Kit A

K1305DL/10-0937



16	1	10-1120	Lub Fitting
15	2	10-1209	1/8 x 1 Cotter Pin
14	3	10-1109	Washer 3/4 Machine .762 x 1.25 x .07
13	1	10-0351	Lift Pivot Shaft
12	1	10-0190	Handlegrip (1" dia.)
11	1	10-0348	Attachment Lift Handle W/A
10	1	10-0346	Lift Link W/A
9	1	10-1222	1/8 x 1-3/4 Cotter Pin
8	2	10-1223	1/8 x 3/4 Cotter Pin
7	2	10-1430	Flanged Bronze Bushing Lift Arm
6	1	10-1434	Hair Pin Cotter 1/8 x 1-3/4
5	2	10-1221	3/8 SAE Washer
4	1	10-1441	3/8 x 2 Clevis Pin
3	2	10-0354	End Plug
2	1	10-0341	Attachment Lift Arm W/A
1	1	10-0680	Lift Arm A
<i>Item</i>	<i>Qty.</i>	<i>Part #</i>	<i>Description</i>

- ② Apply Anti-Seize Lubricant.
- ① Supplied With Lift Arm (Item #1).

Note: All hardware is Grade 5, plated and course thread unless otherwise specified.

TURF TEQ LLC		Date: 12-09
Revisions	12/09 JRD	MODEL 1305
Broom/Edger Lift Kit A		K1305LK/10-0938