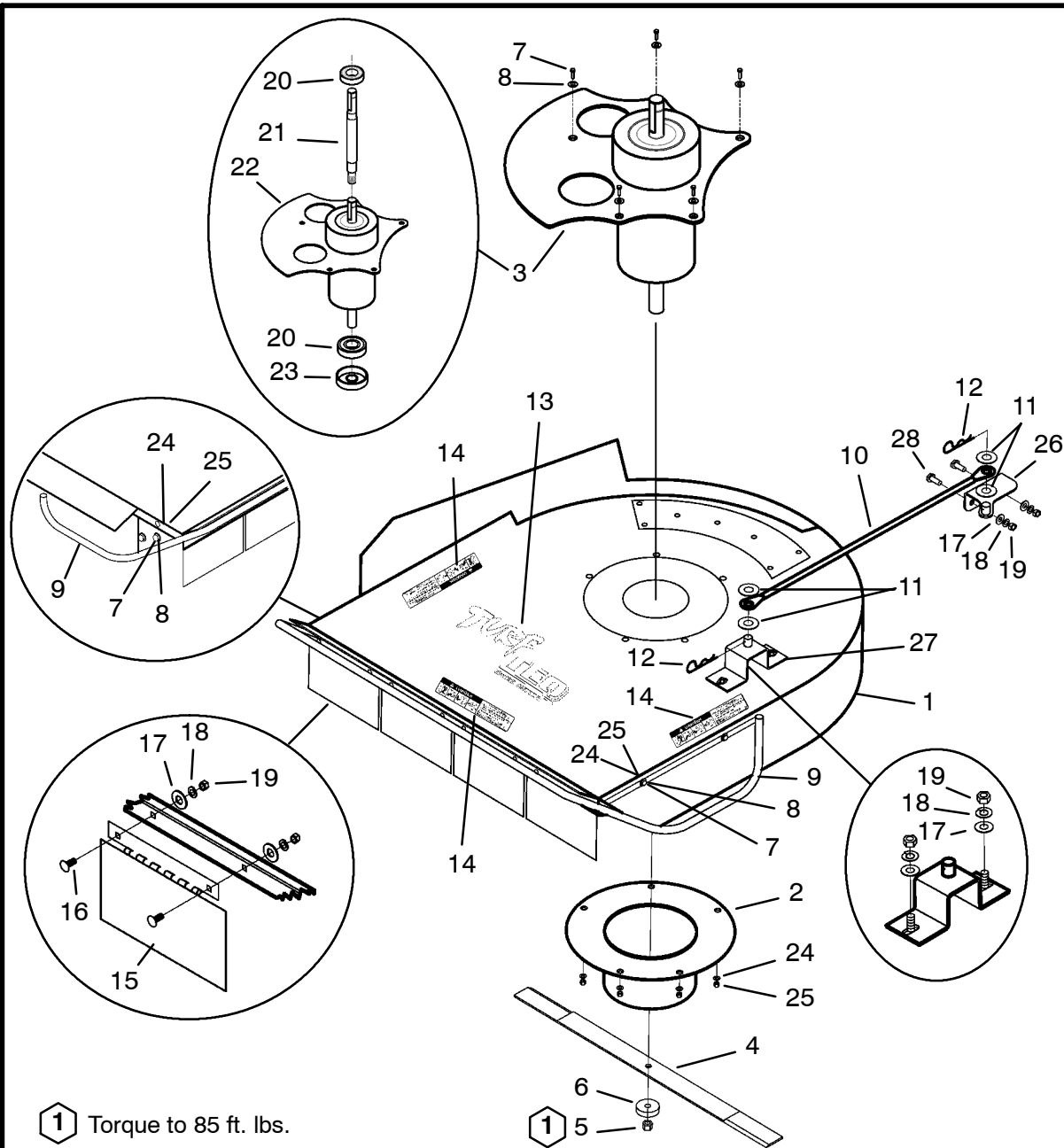




**BRUSH CUTTER
ATTACHMENT
PARTS CATALOG
MODEL A1305C**

Contents

<u>Description</u>	<u>Page Number</u>
Brush Cutter Mower Deck A	1
Belt Drive System A	2



28	2	NSS	Bolt 5/16 x 3/4
27	1	10-1357	Pivot Link Bracket W/A-Mower
26	1	10-1358	Pivot Link Bracket W/A-Tractor
25	9	NSS	Nut 3/8
24	9	NSS	Lock Washer 3/8
23	1	10-1318	Bearing Cover - Mower
22	1	10-1313	Mower Spindle Housing W/A
21	1	10-1317	Mower Blade Shaft
20	2	10-1319	Ball Bearing 6304 ZZ
19	12	NSS	Nut 5/16
18	12	NSS	Lock Washer 5/16
17	12	NSS	Washer 5/16
16	8	NSS	Carriage Bolt 5/16x3/4
15	4	10-1361	Mower Deck Flap
14	3	10-0438	Warning for Moving Parts Decal
13	1	10-1355	"Turf Teq Brush Cutter" Decal
12	2	10-1434	Hair Pin - Cotter 1/8 x 1-3/4
11	4	10-1207	Washer 1/2 SAE
10	1	10-1330	Mower Swivel Link W/A
9	1	10-1359	Mower Push Bar W/A
8	9	10-1221	Washer 3/8 SAE
7	9	NSS	Bolt 3/8 x 1
6	1	10-1322	Mower Blade Washer
5	1	NSS	Nut 5/8
4	1	10-1320	26" Mower Blade
3	1	10-1436	Spindle Housing Assembly
2	1	10-1327	Mower Debris Shield W/A
1	1	10-1360	Mower Deck W/A
Item	Qty.	Part #	Description

TURF TEQ LLC Date: 10-12

Revisions 10/12 JRD MODEL 1305BC **Brush Cutter Mower Deck A**

