



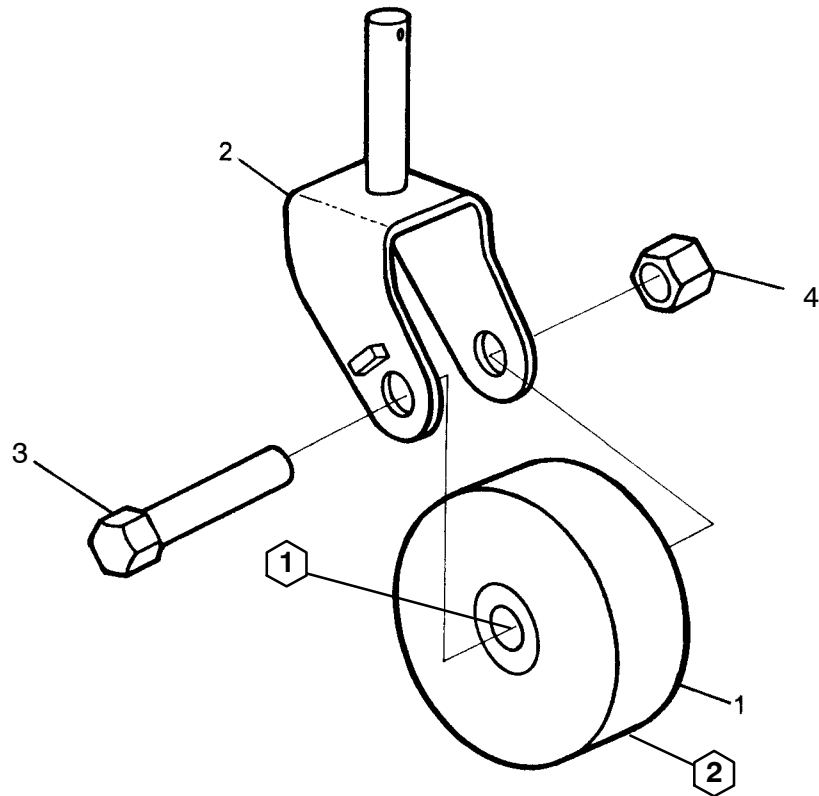
**POWER BROOM
ATTACHMENT**

PARTS CATALOG

MODEL A1300B & A1300B1

Contents

<u>Description</u>	<u>Page Number</u>
Caster Wheel A	1
Gearbox A	2
Idler Arm A	3
Brush A	4
Carrier Frame A	5
Lid & Latch A	6
Broom Attachment A	7
Lift Linkage A	8
Broom/Tractor Connecting A	9
De-Thatching Kit A - Optional Equipment	10



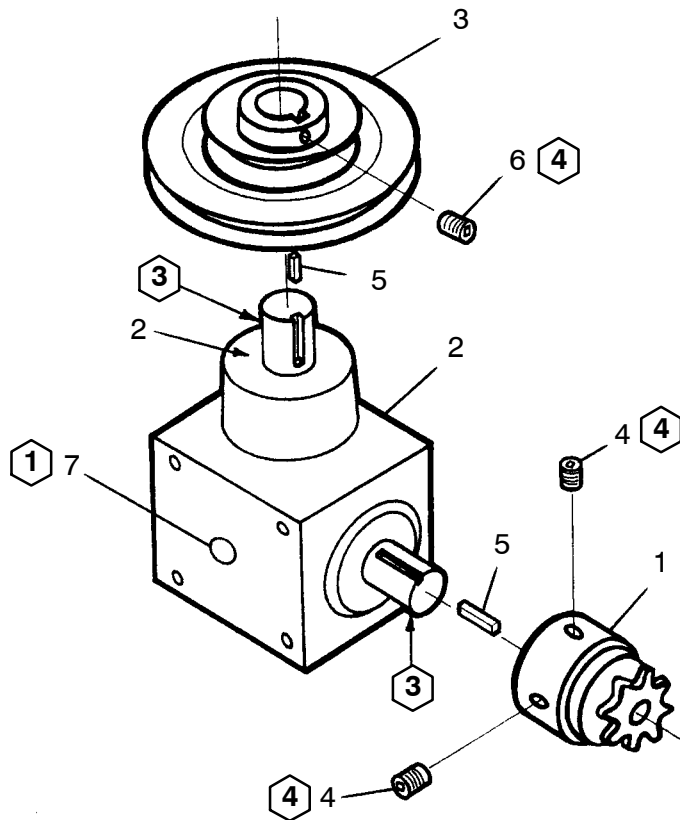
- 2 Wheel must spin freely.
- 1 Apply grease.

Note: All hardware is Grade 5, plated and course thread unless otherwise specified.

4	1	10-1233	Lock Nut 3/4
3	1	NSS	Hex Bolt 3/4 x 4
2	1	BR-0066	Caster WA
1	1	BR-0033	Wheel (5" dia. x 2" width)
<i>Item</i>	<i>Qty.</i>	<i>Part #</i>	<i>Description</i>

TURF TEQ LLC	Date: 03-12
---------------------	-------------

Revisions	03/12 DJR	MODEL 1305	Caster Wheel A	BR-0119
-----------	-----------	------------	-----------------------	----------------



- ④ Apply loctite 271 threadlocker to all set screws.
- ③ Apply anti-seize lubricate.
- ② If vendor shipped gearbox with an aluminum dust shield remove it and discard.
- ① Apply teflon tape or teflon sealant after plug removal.

Note: All hardware is Grade 5, plated and course thread unless otherwise specified.

7	3	10-1208	Oil Fill Plug
6	1	10-1231	1/4-20 x 1/2 Set Screw
5	2	10-1116	Keyway 1/4 x 1-1/4
4	2	10-1236	5/16-18 x 3/8 Set Screw
3	1	BR-0025	Drive Pulley WA
2	1	10-0565	Gearbox
1	1	BR-0061	Sprocket WA
Item	Qty.	Part #	Description

TURF TEQ LLC

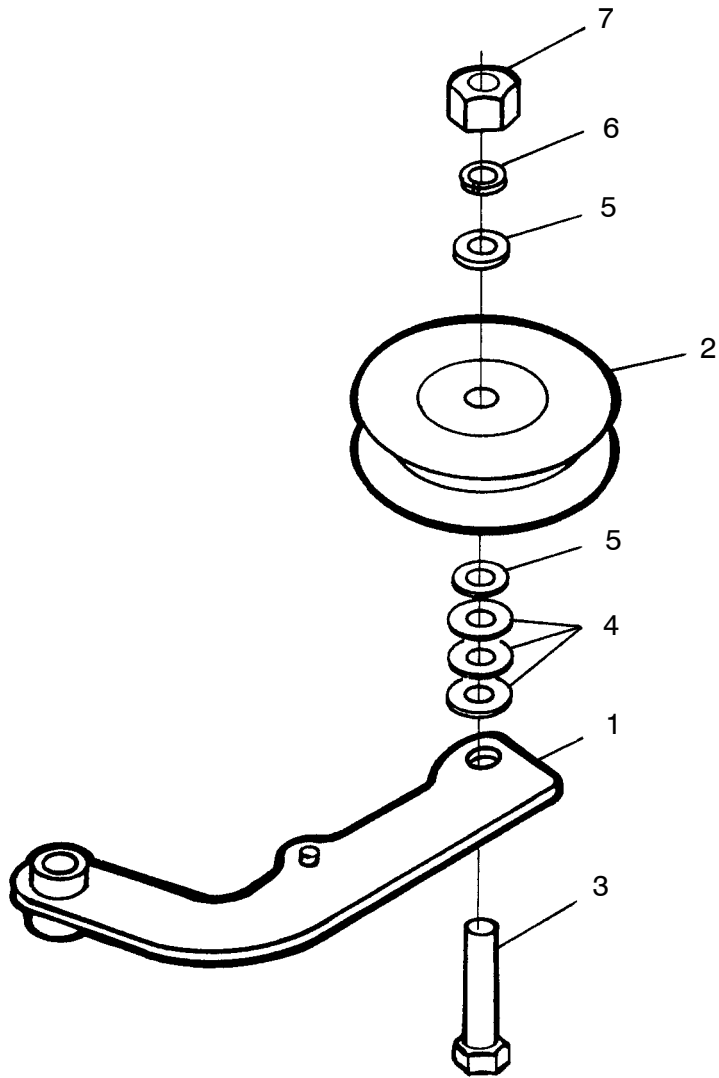
Date: 03-12

Revisions 03/12 DJR

MODEL 1305

Gearbox A

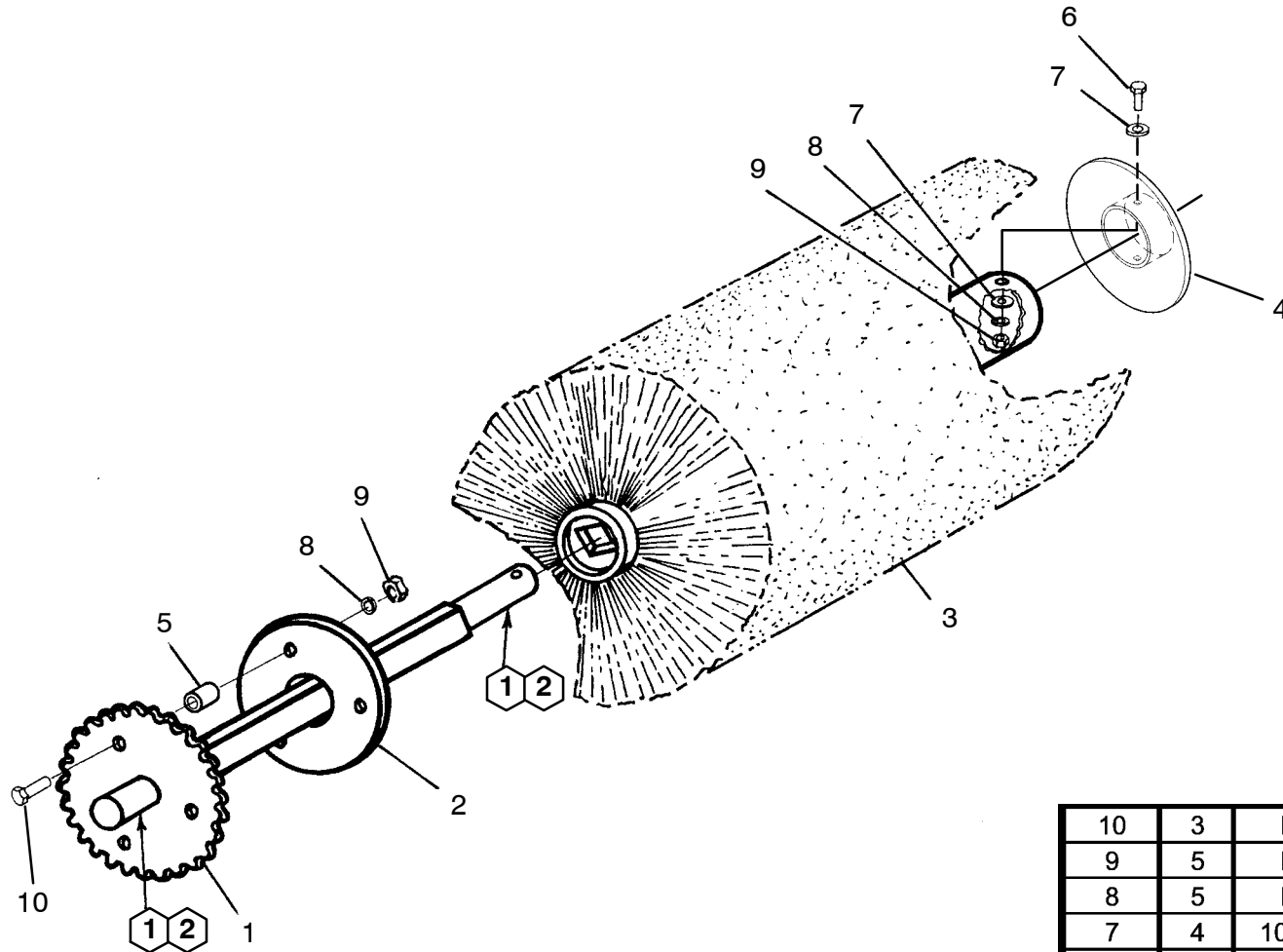
BR-0114



7	1	10-1212	Jam Nut 5/8
6	1	NSS	Lock Washer 5/8
5	2	10-1108	Washer 5/8 Machine 5/8 x 1.0 x .07
4	3	10-1224	Washer 5/8 SAE 5/8 x 1.3 x .13
3	1	NSS	Hex Bolt 5/8 x 1-3/4
2	1	10-0433	Flanged Idler
1	1	BR-0104	Arm WA
<i>Item</i>	<i>Qty.</i>	<i>Part #</i>	<i>Description</i>

Note: All hardware is Grade 5, plated and course thread unless otherwise specified.

TURF TEQ LLC			Date: 03-12
Revisions	03/12 DJR	MODEL 1305	Idler Arm A
			BR-0115



- 2** Apply Anti-Seize Lubricant.
- 1** Emery cloth shaft to remove paint.

Note: All hardware is Grade 5, plated and course thread unless otherwise specified.

10	3	NSS	Hex Bolt 5/16 x 1-1/2
9	5	NSS	Nut 5/16
8	5	NSS	Lock Washer 5/16
7	4	10-1214	Washer SAE 5/16 x .68 x 1/16
6	2	NSS	Hex Bolt 5/16 x 3/4
5	3	10-0619	Spacer
4	1	BR-0060	Ring WA
3	1	BR-0126	Brush A (Optional poly & wire)
3	1	BR-0020	Brush A (Standard poly)
2	1	BR-0036	End Plate
1	1	BR-0045	Drive Shaft WA
Item	Qty.	Part #	Description

TURF TEQ LLC

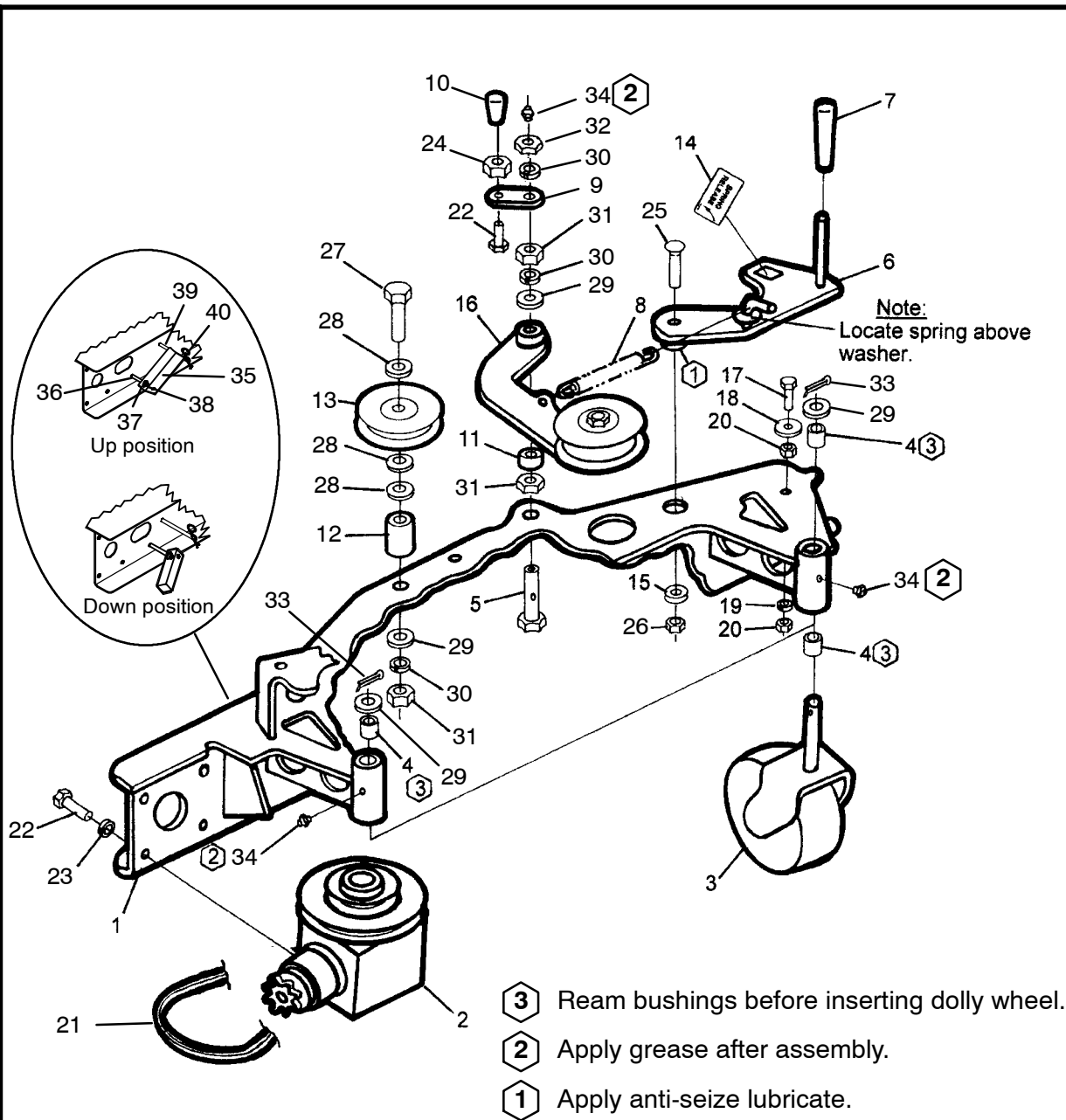
Date: 03-12

Revisions 03/12 DJR

MODEL 1305

Brush A

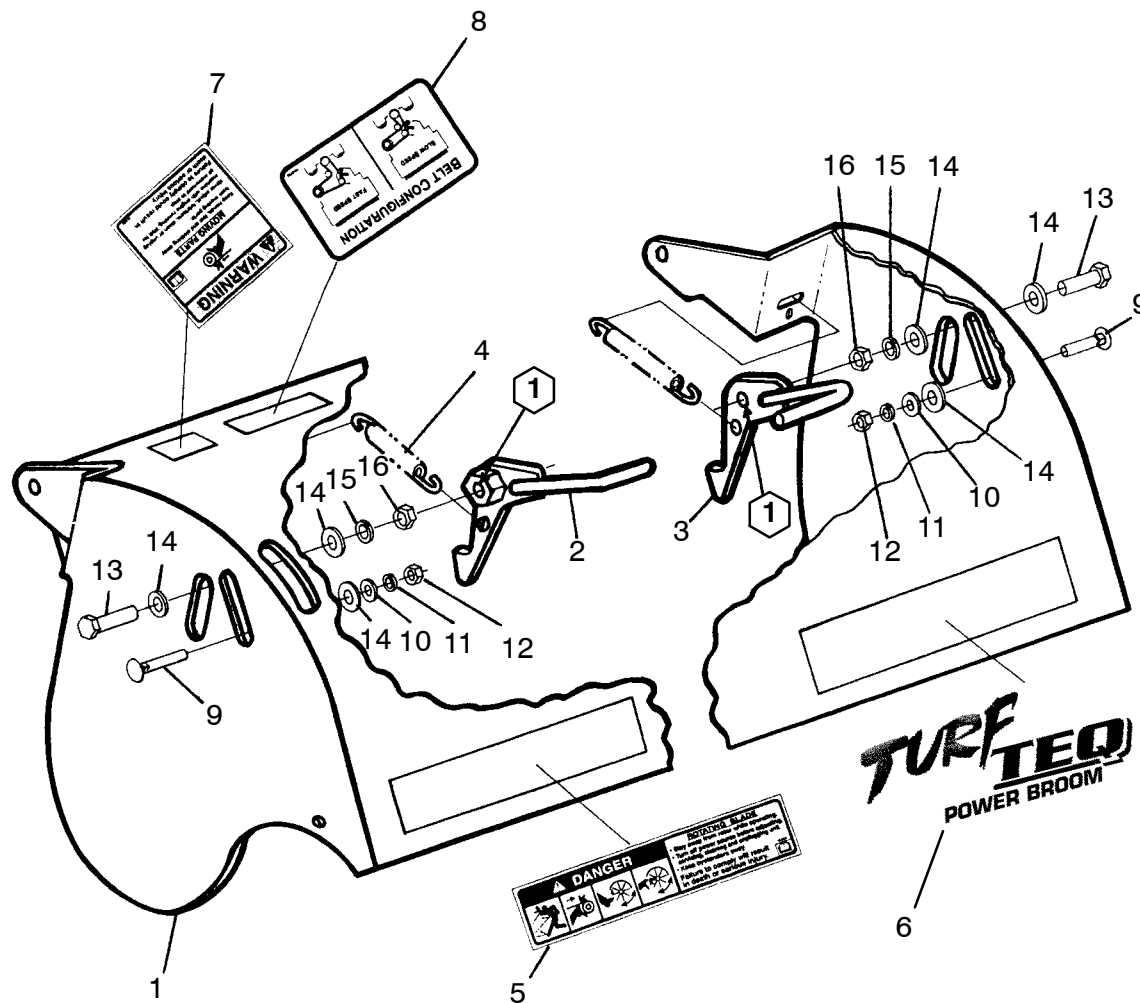
BR-0116



40	2	10-1434	Hairpin Cotter
39	2	10-0615	5/16 x 1 Clevis Pin
38	2	10-1225	5/16-18 Lock Nut
37	2	10-1214	5/16 SAE Washer
36	2	NSS	5/16 x 3/4 Bolt
35	2	10-1296	Broom Support Stand
34	3	10-1120	Lub Fitting
33	2	10-1232	Cotter Pin 1/8 x 1
32	1	10-1212	Jam Nut 5/8
31	3	NSS	Nut 5/8
30	3	NSS	Lock Washer 5/8
29	4	NSS	Flat Washer 5/8 SAE
28	3	10-1108	Washer Machine 5/8 x 1.0 x 1/16
27	1	NSS	Tap Bolt 5/8 x 3.5
26	1	10-1215	Lock Nut 3/8
25	1	NSS	Carriage Bolt 3/8 x 1.25
24	1	NSS	Nut 5/16
23	4	NSS	Lock Washer 5/16
22	5	NSS	Hex Bolt 5/16 x 3/4
21	1	BR-0084	V-Belt (B-74)
20	2	NSS	Nut 1/4
19	1	NSS	Lock Washer 1/4
18	1	NSS	Fender Washer 5/16
17	1	NSS	Hex Bolt 1/4 x 1
16	1	BR-0115	Idler Arm A
15	1	BR-0132	Washer 3/8 x 1.5 x 3/16
14	1	BR-0141	Decal (Spring Release)
13	1	10-0501	Flat Idler
12	1	BR-0158	Spacer 5/8 x 1.25 x 1.6 Length
11	1	10-0659	Spacer 5/8 x 3/4 x 1.3 Length
10	1	BR-0139	5/16" Bumper
9	1	BR-0201	Flat
8	1	BR-0121	Spring
7	1	10-0332	Handle
6	1	BR-0130	Arm WA
5	1	10-0587	Drilled Bolt
4	4	BR-0058	Bushing
3	2	BR-0119	Caster Wheel A
2	1	BR-0114	Gearbox A
1	1	BR-0145	Carrier Frame WA
Item	Qty.	Part #	Description

Note: All hardware is Grade 5, plated and course thread unless otherwise specified.

TURF TEQ LLC		Date: 12-12
Revisions	12/12 JRD	MODEL 1305
Carrier Frame A		BR-0118

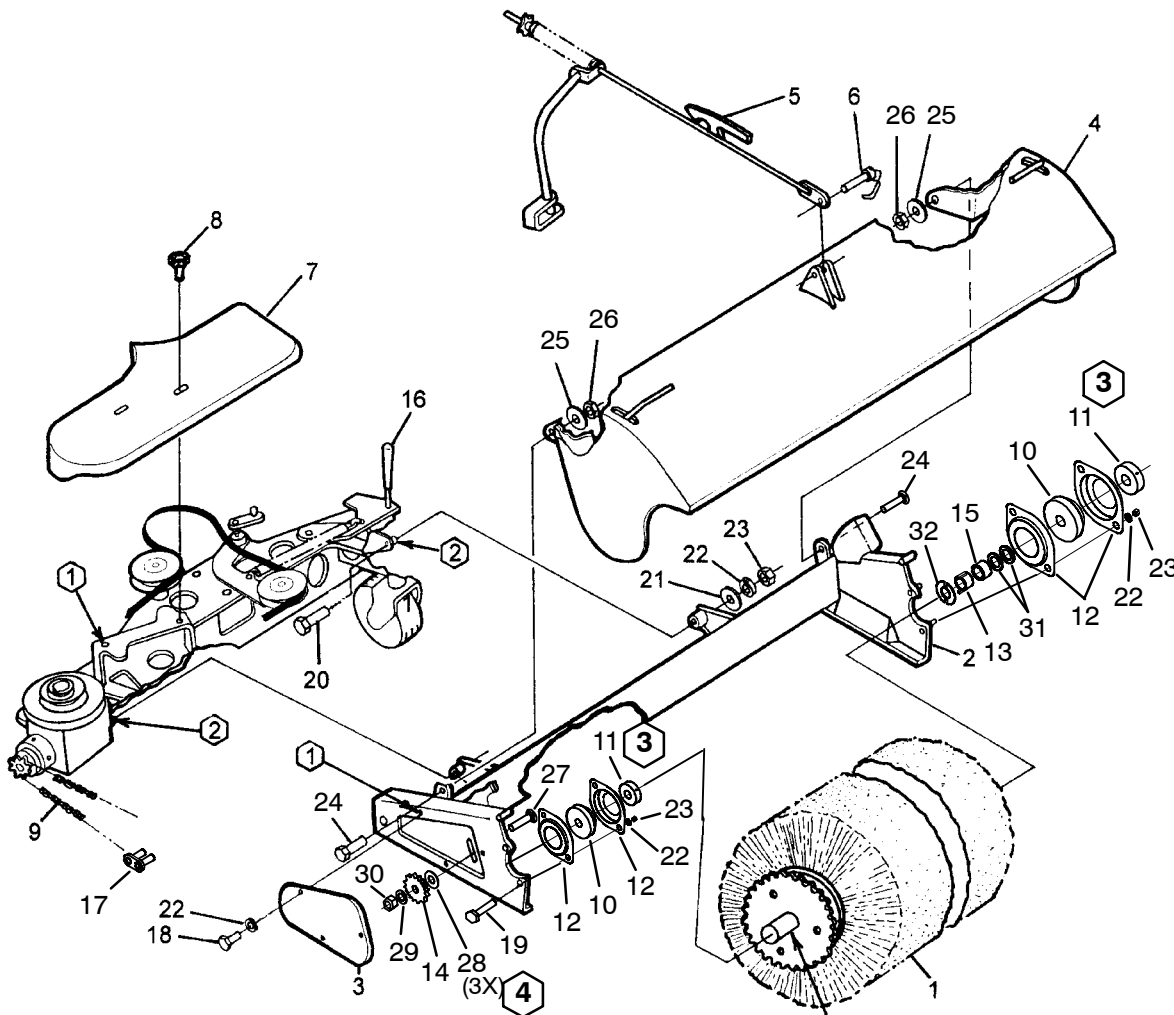


16	2	10-1204	Jam Nut 1/2
15	2	NSS	Lock Washer 1/2
14	6	NSS	Washer 1/2
13	2	NSS	Tap Bolt 1/2-13 x 2
12	2	NSS	Nut 3/8
11	2	NSS	Lock Washer 3/8
10	2	NSS	Washer 3/8
9	2	NSS	Carrage Bolt 3/8 x 2.00
8	1	BR-0140	Decal - Belt Conf.
7	1	10-0438	Decal - Warning
6	1	10-1183	Decal (Broom)
5	1	10-0437	Decal - Danger
4	2	BR-0092	Ext. Spring 9/16 x 5 Length x 1/16 Wire
3	1	BR-0044	Latch LH WA
2	1	BR-0043	Latch RH WA
1	1	BR-0063	Hood WA
<i>Item</i>	<i>Qty.</i>	<i>Part #</i>	<i>Description</i>

① Tap-out threads & apply anti-sieze lubricant.

Note: All hardware is Grade 5, plated and course thread unless otherwise specified.

TURF TEQ LLC		Date: 03-12
Revisions	03/12 DJR	MODEL 1305
Lid & Latch A		BR-0117

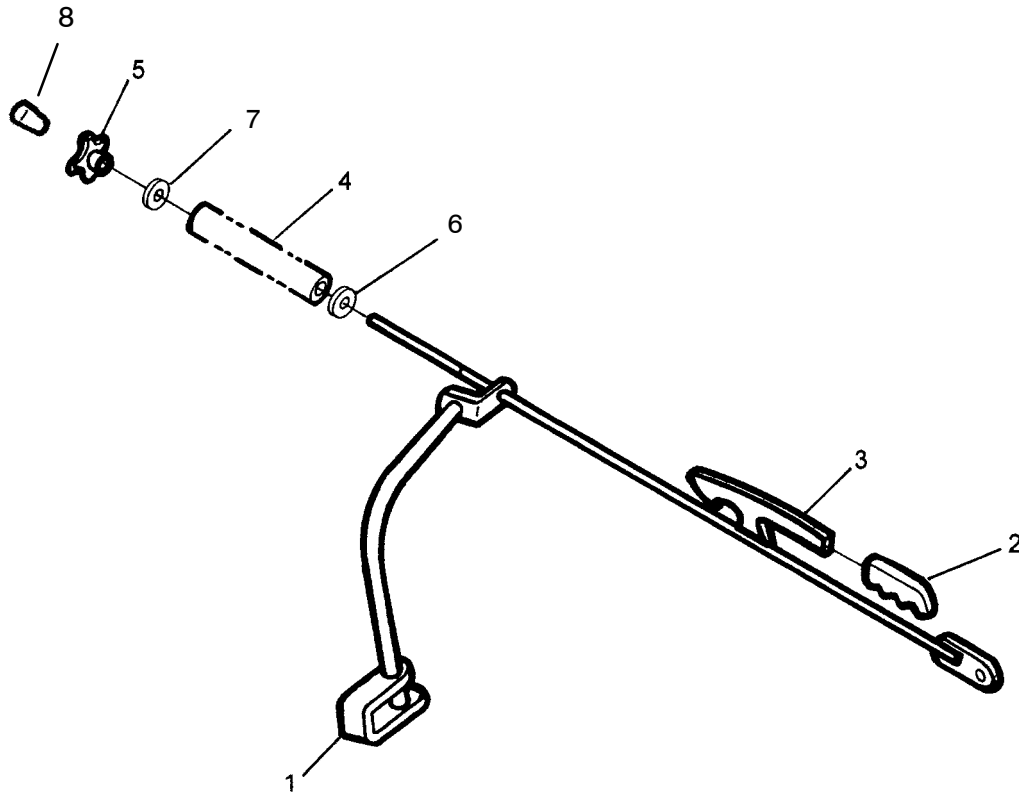


- ④ Use as many as needed to align the sprockets.
- ③ Apply loctite 271 threadlocker to lock collar set screw.
- ② Apply anti-seize lubricate.
- ① Tap-out threads.

Note: All hardware is Grade 5, plated and coarse thread unless otherwise specified.

Item	Qty.	Part #	Description
32	3	10-1299	End Play Shim
31	2	10-1123	Washer Machine 7/8 x 1.38 x 1/16
30	1	NSS	Nut 1/2
29	1	NSS	Lock Washer 1/2
28	3	NSS	Washer 1/2
27	1	NSS	Carriage Bolt 1/2 x 2
26	2	10-1215	Lock Nut 3/8
25	2	NSS	Washer 3/8
24	2	NSS	Hex Bolt 3/8 x 1
23	5	NSS	Nut 5/16
22	8	NSS	Lock Washer 5/16
21	1	NSS	Flat Washer 5/16 USS
20	1	NSS	Hex Bolt 5/16 x 1.75
19	2	NSS	Hex Bolt 5/16 x 3/4
18	3	NSS	Hex Bolt 5/16 x 1/2
17	REF	BR-0112	RC-40 Connecting Link (service only)
16	1	BR-0118	Carrier Frame A
15	1	BR-0147	Spacer 7/8 x 1.4 x .29 Length
14	1	BR-0055	Sprocket Idler
13	1	BR-0094	Stop WA
12	4	BR-0032	Flangette
11	2	REF	Lock Collar 1"-Supplied w/brg BR-0031
10	2	BR-0031	Bearing & Lock Collar
9	1	BR-0034	Roller Chain A (RC-40) (48.5")
8	2	10-0618	Shield Knob
7	1	BR-0083	Shield WA
6	1	10-0574	Snapper Pin
5	1	BR-0155	Lift Linkage A
4	1	BR-0117	Lid & Latch A
3	1	BR-0102	Cover
2	1	BR-0072	Brush Frame WA
1	1	BR-0116	Brush A Complete With Shaft

TURF TEQ LLC Date: 03-12



8	1	10-1628	1/2" Bumper
7	1	NSS	Washer 1/2
6	1	NSS	Washer 5/8
5	1	BR-0086	Knob
4	1	BR-0108	Spring
3	1	BR-0064	Link WA
2	1	10-0474	Grip
1	1	BR-0090	Lift Arm WA
<i>Item</i>	<i>Qty.</i>	<i>Part #</i>	<i>Description</i>

Note: All hardware is Grade 5, plated and course thread unless otherwise specified.

TURF TEQ LLC

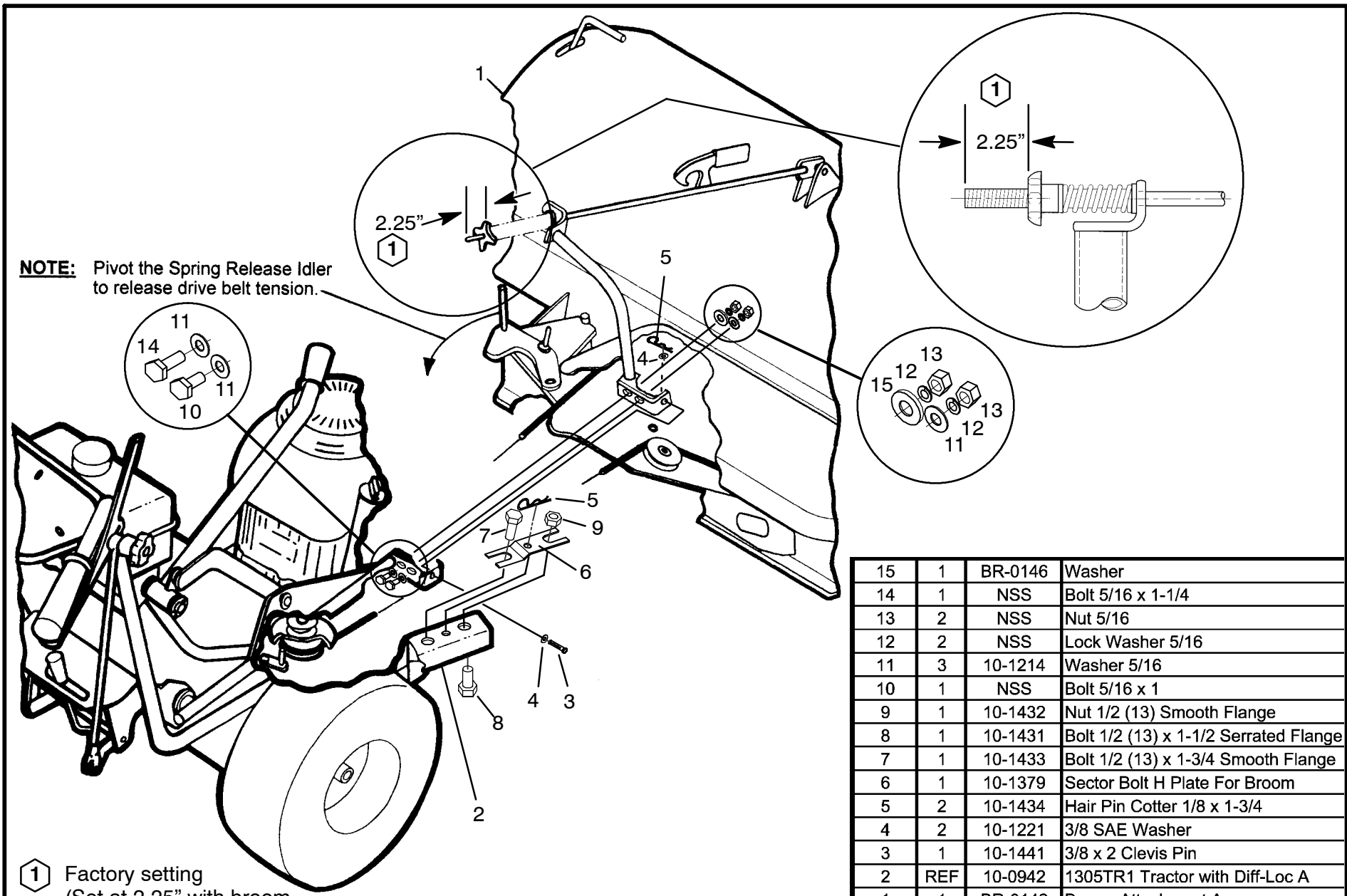
Date: 12-12

Revisions 12/12 JRD

MODEL 1305

Lift Linkage A

BR-0155



NOTE: Pivot the Spring Release Idler to release drive belt tension.

① Factory setting
(Set at 2.25" with broom
in the down position.)

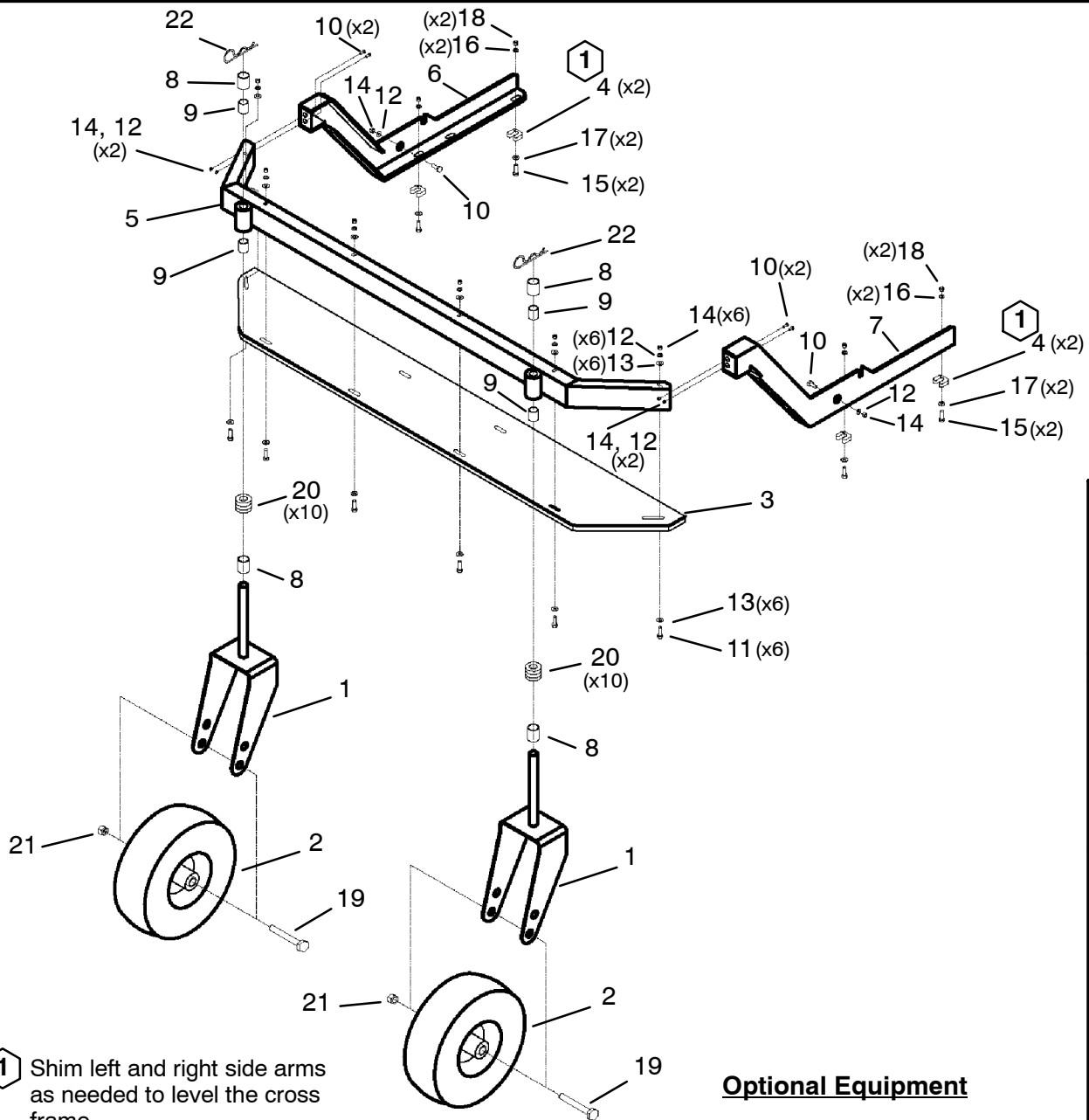
Note: All hardware is Grade 5, plated and course thread unless otherwise specified.

15	1	BR-0146	Washer
14	1	NSS	Bolt 5/16 x 1-1/4
13	2	NSS	Nut 5/16
12	2	NSS	Lock Washer 5/16
11	3	10-1214	Washer 5/16
10	1	NSS	Bolt 5/16 x 1
9	1	10-1432	Nut 1/2 (13) Smooth Flange
8	1	10-1431	Bolt 1/2 (13) x 1-1/2 Serrated Flange
7	1	10-1433	Bolt 1/2 (13) x 1-3/4 Smooth Flange
6	1	10-1379	Sector Bolt H Plate For Broom
5	2	10-1434	Hair Pin Cotter 1/8 x 1-3/4
4	2	10-1221	3/8 SAE Washer
3	1	10-1441	3/8 x 2 Clevis Pin
2	REF	10-0942	1305TR1 Tractor with Diff-Loc A
1	1	BR-0142	Broom Attachment A
<i>Item</i>	<i>Qty.</i>	<i>Part #</i>	<i>Description</i>

TURF TEQ LLC

Date: 03-12

Revisions	03/12 DJR	MODEL 1305	Broom/Tractor Connecting A	1305BR/BR-0157
-----------	-----------	------------	-----------------------------------	-----------------------



22	2	10-1420	Hair Pin
21	2	SS	Lock Nut 5/8
20	20	NSS	Flat Washer 5/8
19	2	NSS	Hex Bolt 5/8 x 5
18	4	NSS	Nut 5/16
17	4	NSS	Flat Washer 5/16
16	4	NSS	Lock Washer 5/16
15	4	NSS	Hex Bolt 5/16 x 1
14	12	NSS	Nut 1/4
13	12	NSS	Flat Washer 1/4
12	8	NSS	Lock Washer 1/4
11	6	NSS	Hex Bolt 1/4 x 1
10	6	NSS	Hex Bolt 1/4 x 3/4
9	4	BR-0058	Bronze Bushing
8	4	10-1281	Spacer
7	1	10-1280	LH Frame Rail WA
6	1	10-1279	RH Frame Rail WA
5	1	10-1272	Cross Frame Rail WA
4	10	10-1269	5/16 Hardware Shim
3	1	10-1265	Plastic Debris Guard
2	2	10-1264	Dolly Wheel
1	2	10-1263	Dolly WA
Item	Qty.	Part #	Description

1 Shim left and right side arms as needed to level the cross frame.

Optional Equipment

Note: All hardware is Grade 5, plated and course thread unless otherwise specified.

TURF TEQ LLC Date: 03-12