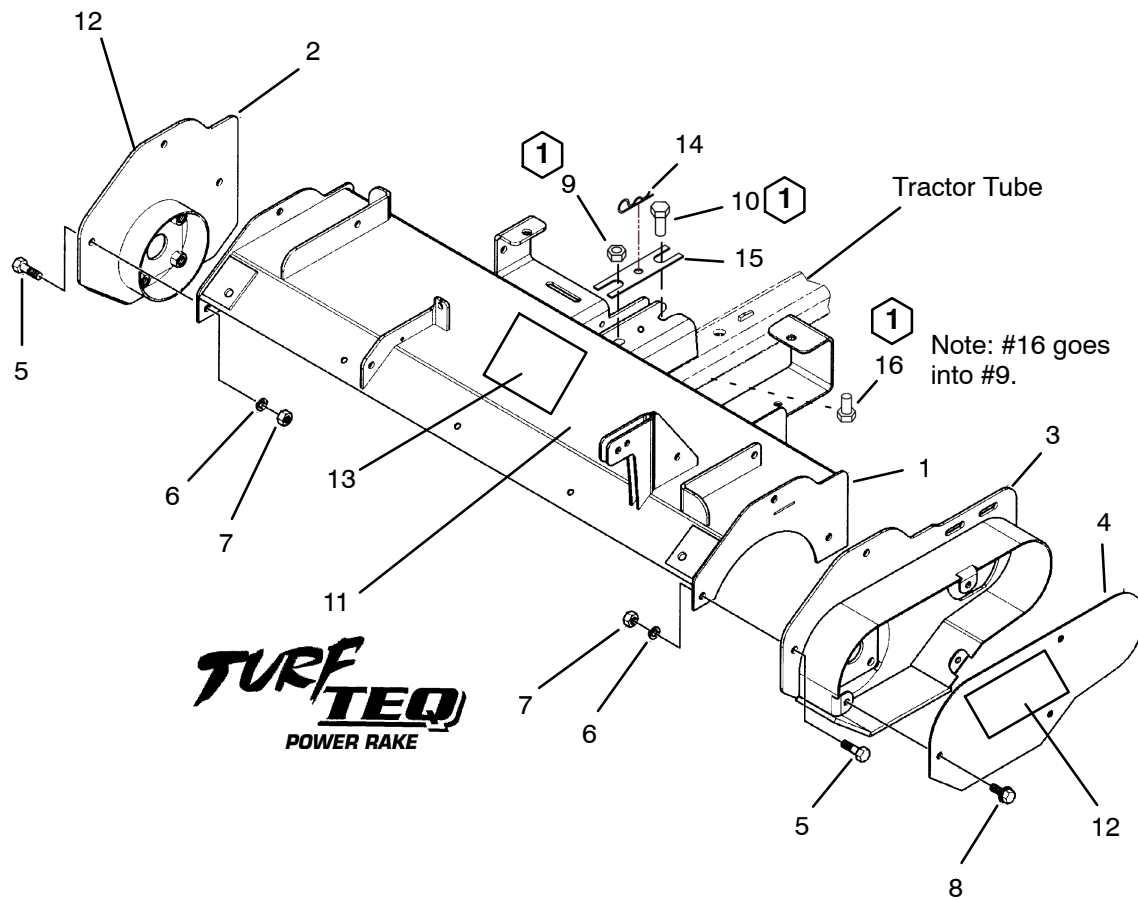




**POWER RAKE  
PARTS CATALOG  
MODEL A1305P**

# Contents

| <u>Part Number</u> | <u>Description</u>        | <u>Page Number</u> |
|--------------------|---------------------------|--------------------|
| 10-1098 .....      | Main Frame A .....        | 1                  |
| 10-1099 .....      | Flotation Wheel A .....   | 2                  |
| 10-1100 .....      | Top Drive A .....         | 3                  |
| 10-1101 .....      | Rotor Drive A .....       | 4                  |
| 10-1102 .....      | Transport Release A ..... | 5                  |
| 10-1103 .....      | Dust Shield A .....       | 6                  |



| 16   | 1    | 10-1431 | Bolt 1/2 (13) x 1-1/2 Serrated Flange                   |
|------|------|---------|---|
| 15   | 1    | 10-1378 | Sector Bolt H Plate                                     |
| 14   | 1    | 10-1434 | Hair Pin - Cotter 1/8 x 1-3/4                           |
| 13   | 1    | 10-1174 | Warning Decal - Moving Parts                            |
| 12   | 2    | 10-1173 | Warning Decal - Rotating Teeth                          |
| 11   | 1    | 10-1182 | Turf Teq Power Rake Decal                               |
| 10   | 1    | 10-1433 | Bolt 1/2 (13) x 1-3/4 Smooth Flange                     |
| 9    | 1    | 10-1432 | Nut 1/2 (13) Smooth Flange                              |
| 8    | 3    | NSS     | Hex Head Capscrew Serrated Flange 5/16-18UNC x 3/4 Long |
| 7    | AR   | NSS     | Hex Nut 3/8-16UNC                                       |
| 6    | AR   | NSS     | Lock Washer 3/8   |
| 5    | AR   | NSS     | Hex Head Capscrew 3/8-16UNC x 3/4 Long                  |
| 4    | 1    | 10-1046 | Drive Enclosure Access Cover                            |
| 3    | 1    | 10-1045 | Drive Enclosure End Plate LH                            |
| 2    | 1    | 10-1044 | End Plate RH  |
| 1    | 1    | 10-1043 | Main Frame  |
| Item | Qty. | Part #  | Description   |

**1** Torque to 83 ft. lbs.

**Note:** All hardware is Grade 5, plated and course thread unless otherwise specified.

TURF TEQ LLC

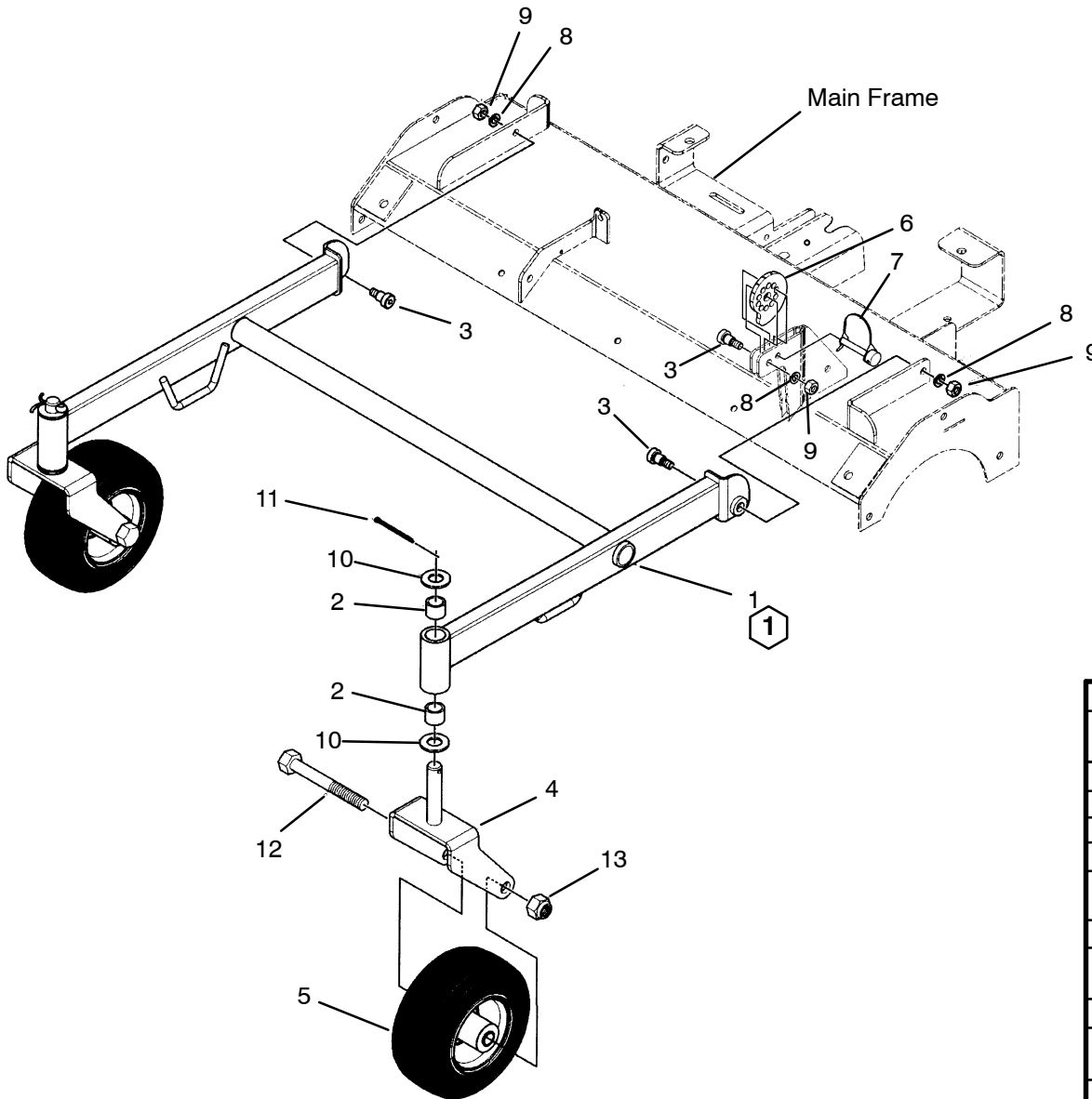
Date: 12-09

Revisions 12/09 JRD

MODEL 1305PR

Main Frame A

10-1098



1 Includes Item #2.

**Note:** All hardware is Grade 5, plated and course thread unless otherwise specified.

| 13   | 2    | 10-1213 | Nylon Lock Hex Nut 5/8-11UNC                         |
|------|------|---------|--|
| 12   | 2    | NSS     | Hex Head Capscrew 5/8-11UNC x 5-1/2 Long             |
| 11   | 2    | 10-1234 | Cotter Pin 3/16 Dia. x 1-1/2 Long                    |
| 10   | 4    | NSS     | Flat Washer 3/4 SAE                                  |
| 9    | 3    | NSS     | Hex Nut 3/8-16UNC                                    |
| 8    | 3    | NSS     | Lock Washer 3/8                                      |
| 7    | 1    | 10-1091 | Round Lock Pin w/Tab 5/16 Dia. x 2-5/8 Long          |
| 6    | 1    | 10-1089 | Depth Cam  |
| 5    | 2    | 10-1051 | Wheel/Tire - Black Smooth Tire 8/3.00-4              |
| 4    | 2    | 10-1050 | Caster Fork  |
| 3    | 3    | 10-1049 | Shoulder Bolt 1/2 Dia. x 1/2 Long Shoulder 3/8-16UNC |
| 2    | 4    | 10-1048 | Bushing 1 OD x 3/4 ID x 3/4 Long                     |
| 1    | 1    | 10-1047 | Wheel Frame WA                                       |
| Item | Qty. | Part #  | Description  |

TURF TEQ LLC

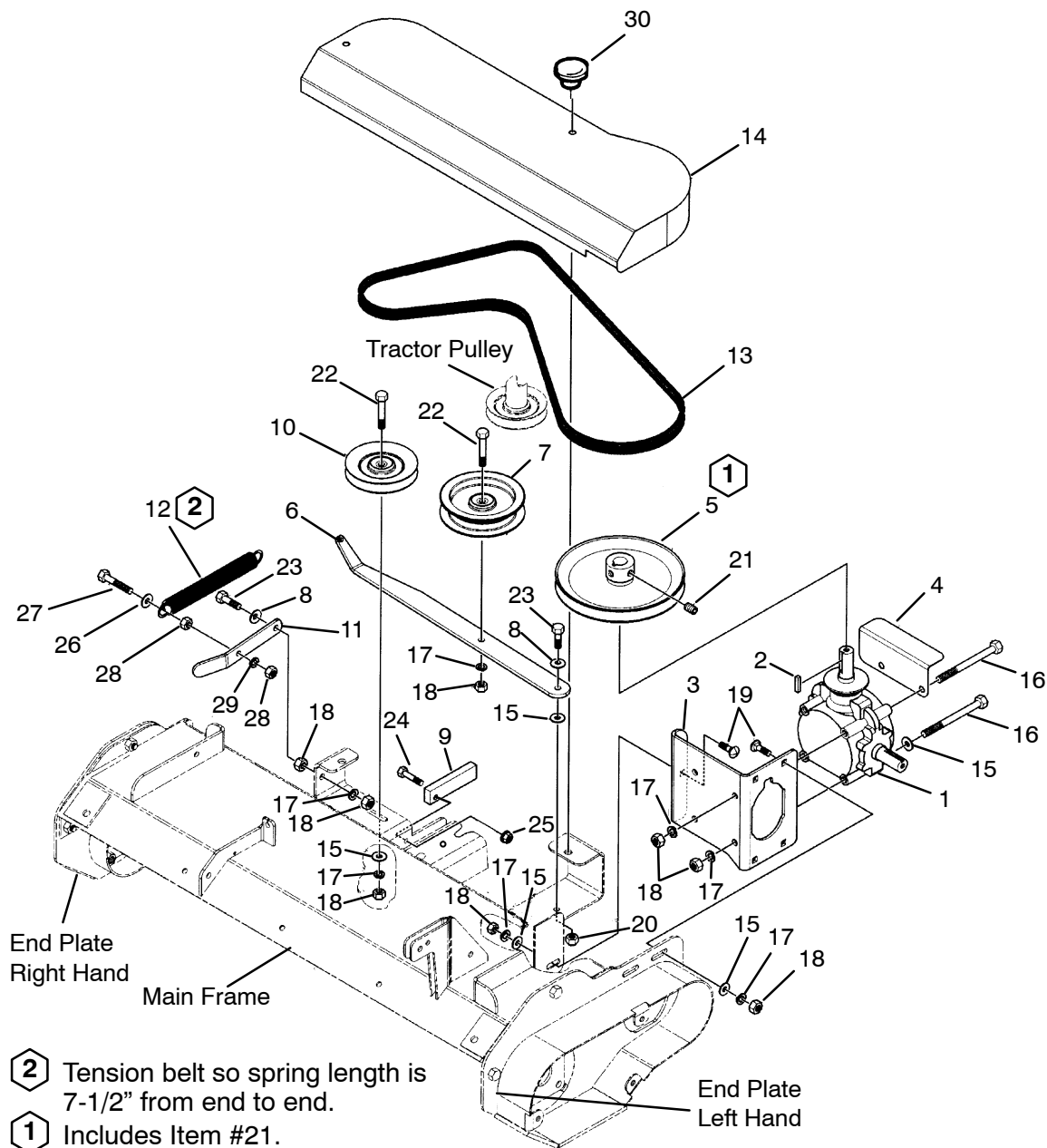
Date: 12-09

Revisions 12/09 JRD

MODEL 1305PR

Flotation Wheel A

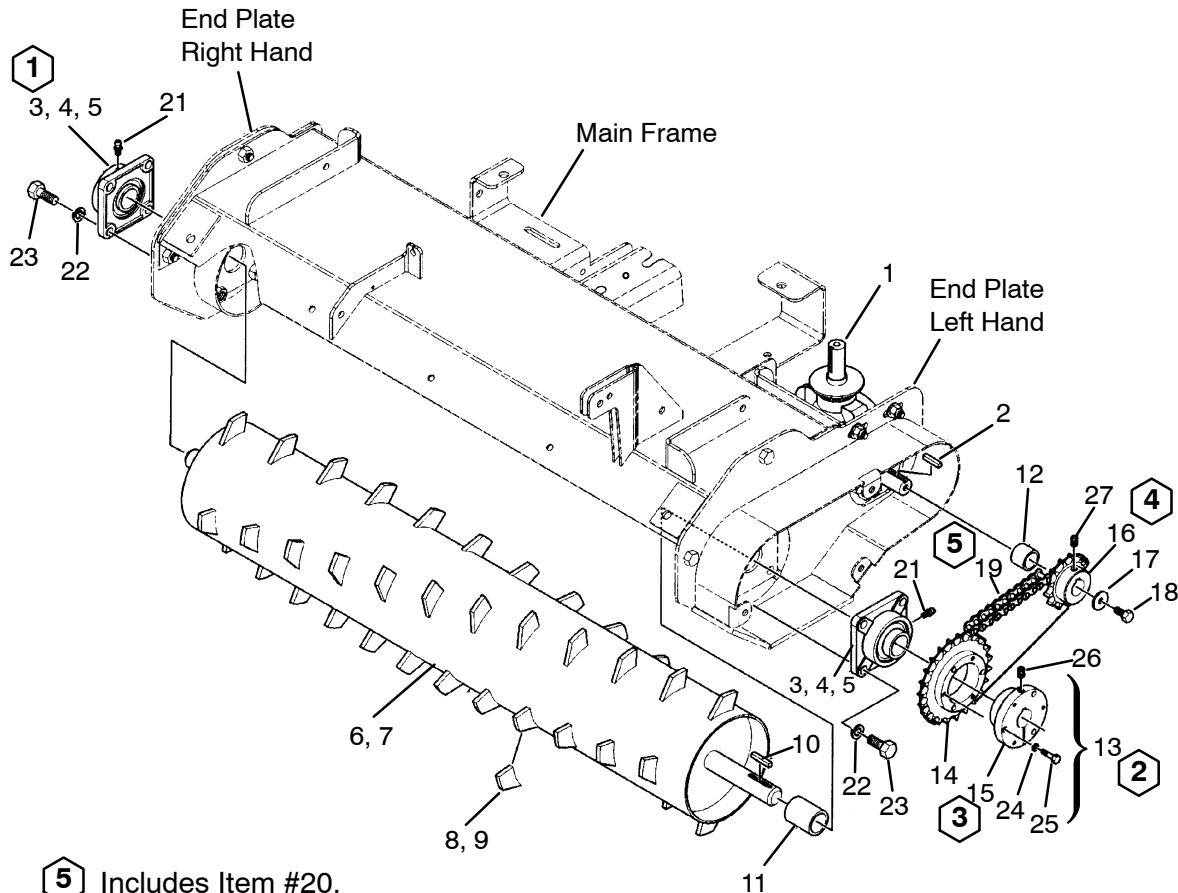
10-1099



| 30   | 2    | 10-0618 | Shield Knob                               |
|------|------|---------|---|
| 29   | 1    | NSS     | Lock Washer 5/16                          |
| 28   | 2    | NSS     | Hex Nut 5/16-18UNC                        |
| 27   | 1    | NSS     | Hex Head Capscrew 5/16-18UNC x 1-1/4 Long |
| 26   | 2    | NSS     | Flat Washer 5/16                          |
| 25   | 1    | NSS     | Serrated Flange Nut 1/4-20UNC             |
| 24   | 1    | NSS     | Hex Head Capscrew 1/4-20UNC x 1 Long      |
| 23   | 2    | NSS     | Hex Head Capscrew 3/8-16UNC x 1-1/4 Long  |
| 22   | 1    | NSS     | Hex Head Capscrew 3/8-16UNC x 1-3/4 Long  |
| 21   | 2    | 10-1235 | Set Screw 1/4-20UNC x 3/8 Long            |
| 20   | AR   | 10-1215 | Nylon Lock Hex Nut 3/8-16UNC              |
| 19   | 5    | NSS     | Carriage Capscrew 3/8-16UNC x 1 Long      |
| 18   | AR   | NSS     | Hex Nut 3/8-16UNC                         |
| 17   | AR   | NSS     | Lock Washer 3/8                           |
| 16   | 4    | NSS     | Hex Head Capscrew 3/8-16UNC x 4-1/2 Long  |
| 15   | AR   | NSS     | Flat Washer 3/8                           |
| 14   | 1    | 10-1064 | Drive Belt Shield                         |
| 13   | 1    | 10-1041 | V Belt, B76                               |
| 12   | 1    | 10-1063 | Idler Arm Spring                          |
| 11   | 1    | 10-1062 | Spring Tension Lever                      |
| 10   | 1    | 10-1061 | Idler Pulley AB Combo 3/8 Bore x 5 OD     |
| 9    | 1    | 10-1060 | Idler Arm Slide                           |
| 8    | 2    | 10-1059 | Belleville Disc Spring 3/4 OD x .380 ID   |
| 7    | 1    | 10-1058 | Idler Pulley, Flat 3/8 Bore x 5-1/4 OD    |
| 6    | 1    | 10-1057 | Spring Idler Arm                          |
| 5    | 1    | 10-1056 | Drive Pulley V-Belt                       |
| 4    | 1    | 10-1055 | Shield, Belt Underside                    |
| 3    | 1    | 10-1054 | Gearbox Mounting Plate                    |
| 2    | 1    | 10-1053 | Key 6mm Sq. x 20mm Long                   |
| 1    | 1    | 10-1052 | Gearbox A, 1018, Ratio 2.78-1             |
| Item | Qty. | Part #  | Description                               |

**Note:** All hardware is Grade 5, plated and course thread unless otherwise specified.

|              |           |              |
|--------------|-----------|--------------|
| TURF TEQ LLC |           | Date: 12-09  |
| Revisions    | 12/09 JRD | MODEL 1305PR |
| Top Drive A  |           | 10-1100      |



- ⑤ Includes Item #20.
- ④ Includes Item #27.
- ③ Includes Items #24, #25, #26.
- ② Includes Items #14, #15, #24, #25, and #26.
- ① Includes Items #4 and #21.

**Note:** All hardware is Grade 5, plated and course thread unless otherwise specified.

| 27   | 2    | 10-1236 | Set Screw 5/16-18UNC x 3/8 Long                |
|------|------|---------|--|
| 26   | 1    | 10-1235 | Set Screw 1/4-20UNC x 3/8 Long                 |
| 25   | 3    | NSS     | Hex Head Capscrew 1/4-20UNC x 1-1/4 Long       |
| 24   | 3    | NSS     | Lock washer 1/4                                |
| 23   | AR   | NSS     | Hex Head Capscrew 7/16-14UNC x 1-1/4 Long      |
| 22   | 8    | NSS     | Lock Washer 7/16                               |
| 21   | 1    | 10-1120 | Lube Fitting                                   |
| 20   | 1    | 10-1083 | Master Link Chain #50                          |
| 19   | 1    | 10-1042 | Drive Chain #50                                |
| 18   | 1    | 10-1082 | Hex Head Capscrew M8-1.25 x 20mm Long          |
| 17   | 1    | 10-1081 | Flat Washer, Sprocket Keeper                   |
| 16   | 1    | 10-1080 | Drive Sprocket #50 13 Tooth 22mm Bore          |
| 15   | 1    | 10-1079 | Bushing QD                                     |
| 14   | 1    | 10-1078 | Driven Sprocket #50 23 Tooth                   |
| 13   | 1    | 10-1077 | Sprocket A                                     |
| 12   | 1    | 10-1076 | Spacer Bushing 1-1/8 OD x 1/8 Wall x 3/4 Wide  |
| 11   | 1    | 10-1075 | Spacer Bushing 1-3/8 OD x 5/32 Wall x 3/4 Wide |
| 10   | 1    | 10-1074 | Key 1/4 Sq. x 1 Long                           |
| 9    | AR   | 10-1073 | Rotor Tooth AR400 Steel                        |
| 8    | AR   | 10-1072 | Carbide Tooth                                  |
| 7    | 1    | 10-1071 | Rotor With AR400 Steel Replaceable Teeth       |
| 6    | 1    | 10-1070 | Rotor With Carbide Teeth                       |
| 5    | 1    | 10-1069 | Bearing Insert Only                            |
| 4    | 1    | 10-1068 | Flange Only                                    |
| 3    | 2    | 10-1067 | Rotor Bearing A                                |
| 2    | 1    | 10-1053 | Key 6mm Sq. x 20mm Long                        |
| 1    | 1    | 10-1052 | Gearbox A, 1018, Ratio 2.78-1                  |
| Item | Qty. | Part #  | Description                                    |

TURF TEQ LLC

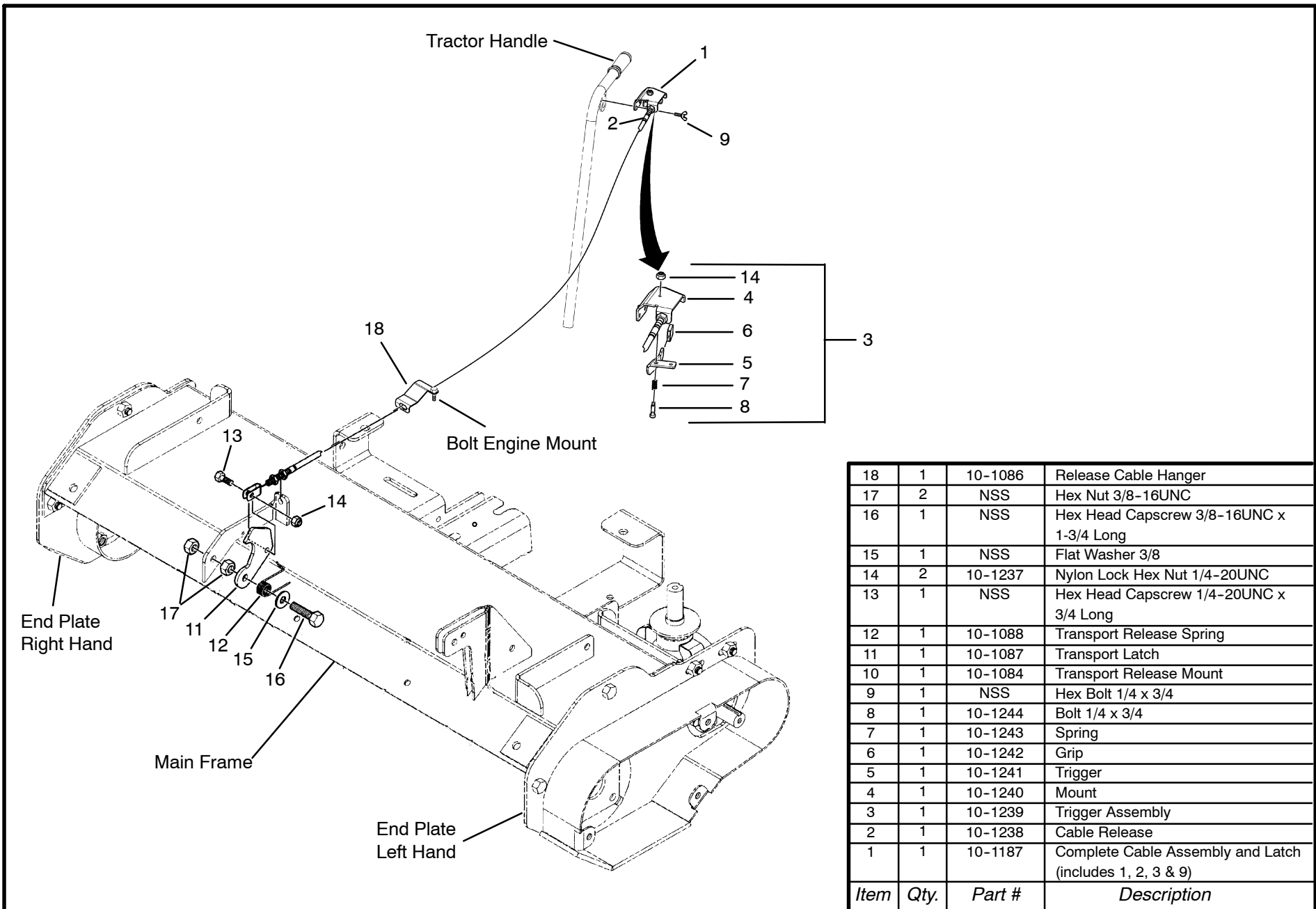
Date: 12-09

Revisions 12/09 JRD

MODEL 1305PR

Rotor Drive A

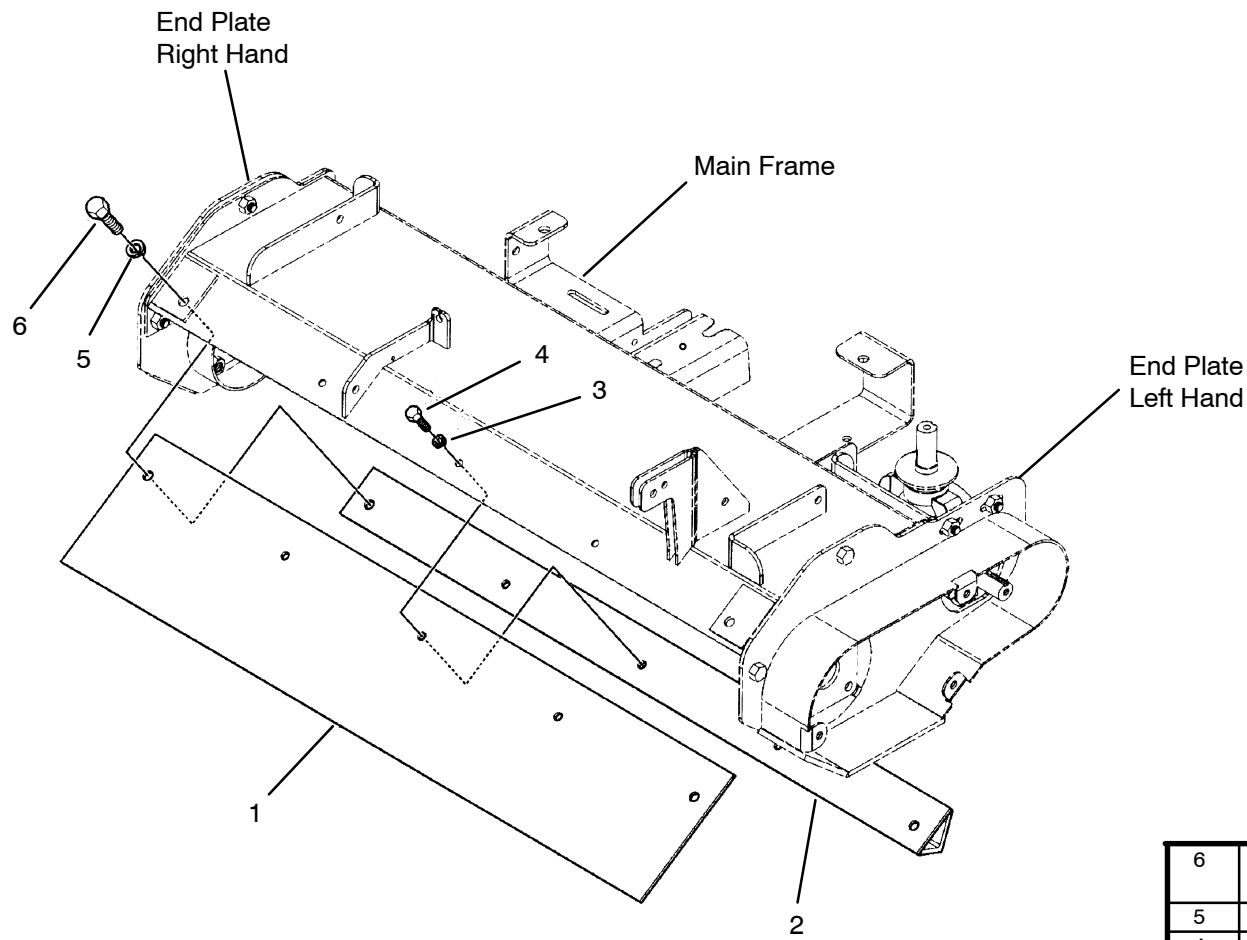
10-1101



| 18   | 1    | 10-1086 | Release Cable Hanger                                     |
|------|------|---------|--|
| 17   | 2    | NSS     | Hex Nut 3/8-16UNC  |
| 16   | 1    | NSS     | Hex Head Capscrew 3/8-16UNC x 1-3/4 Long                 |
| 15   | 1    | NSS     | Flat Washer 3/8  |
| 14   | 2    | 10-1237 | Nylon Lock Hex Nut 1/4-20UNC                             |
| 13   | 1    | NSS     | Hex Head Capscrew 1/4-20UNC x 3/4 Long                   |
| 12   | 1    | 10-1088 | Transport Release Spring                                 |
| 11   | 1    | 10-1087 | Transport Latch  |
| 10   | 1    | 10-1084 | Transport Release Mount                                  |
| 9    | 1    | NSS     | Hex Bolt 1/4 x 3/4                                       |
| 8    | 1    | 10-1244 | Bolt 1/4 x 3/4   |
| 7    | 1    | 10-1243 | Spring   |
| 6    | 1    | 10-1242 | Grip   |
| 5    | 1    | 10-1241 | Trigger  |
| 4    | 1    | 10-1240 | Mount  |
| 3    | 1    | 10-1239 | Trigger Assembly   |
| 2    | 1    | 10-1238 | Cable Release  |
| 1    | 1    | 10-1187 | Complete Cable Assembly and Latch (includes 1, 2, 3 & 9) |
| Item | Qty. | Part #  | Description  |

**Note:** All hardware is Grade 5, plated and course thread unless otherwise specified.

|                     |           |              |
|---------------------|-----------|--------------|
| TURF TEQ LLC        |           | Date: 12-09  |
| Revisions           | 12/09 JRD | MODEL 1305PR |
| Transport Release A |           | 10-1102      |



|             |             |               |                                       |
|-------------|-------------|---------------|---------------------------------------|
| 6           | 2           | NSS           | Hex Head Capscrew 7/16-14UNC x 1 Long |
| 5           | 2           | NSS           | Lock Washer 7/16                      |
| 4           | 3           | NSS           | Hex Head Capscrew 1/4-20UNC x 1 long  |
| 3           | 3           | NSS           | Lock Washer 1/4                       |
| 2           | 1           | 10-1093       | Dust Shield Strike Bar Weldment       |
| 1           | 1           | 10-1092       | Dust Shield                           |
| <i>Item</i> | <i>Qty.</i> | <i>Part #</i> | <i>Description</i>                    |

**Note:** All hardware is Grade 5, plated and course thread unless otherwise specified.

|                     |           |                |
|---------------------|-----------|----------------|
| <b>TURF TEQ LLC</b> |           | Date: 12-09    |
| Revisions           | 12/09 JRD | <b>10-1103</b> |

MODEL 1305PR

Dust Shield A